

FROSE-2R WW

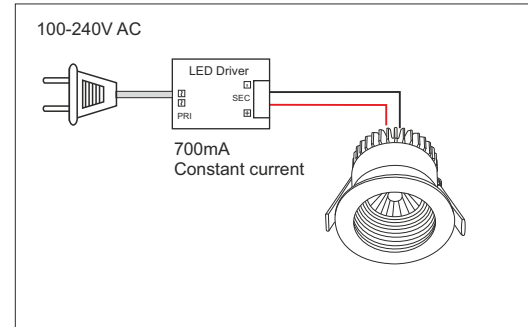
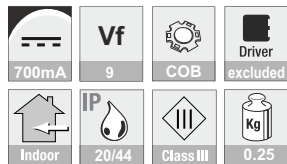
Ordernr: A0139602

Lamptype: recessed down-light
 1x 6.3W warm-white COB LED 3000K
 Equivalent Luminous Flux: Φ_{eff} 322.91 Lm
 Efficiency: $Eff=51.56Lm/W$
 Prisma-Lens: 22.6° with homogeneous light beam
 Antiglare protection

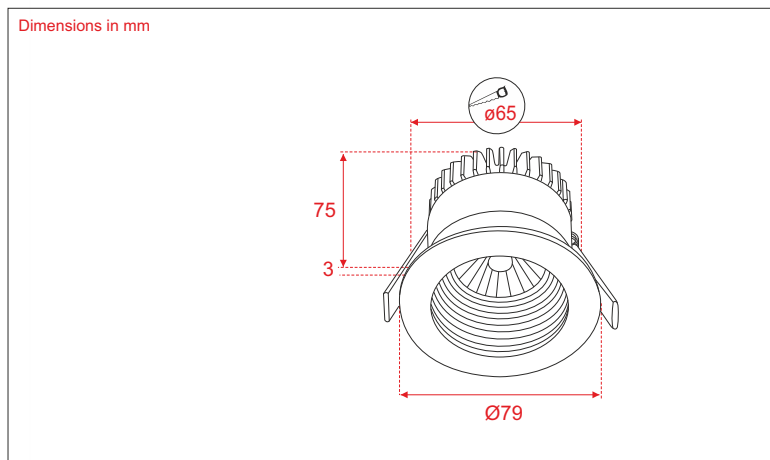
Housing: solid Aluminium white powdercoated RAL9003
 Weight: 0.25 Kg
 Dimensions fixture: $\varnothing 79 \times 75$ mm
 Fixture Classification: IP-20 Class III
 Front Classification: IP-44

Operating Power: constant current 700mA
 Typical forward Voltage V_f : 9V
 Excluded (external) LED-driver

Advised LED-drivers: 700mA (dimnable or non dimnable)



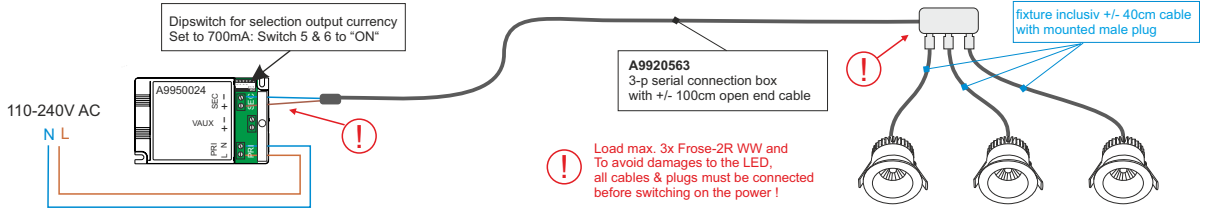
Always disconnect the mains of the LED driver before plugging or unplugging the LED's !!
 The LED's will be damaged or destroyed because of the high voltage present on the driver output when there is no load connected. **Connect the main after all Led's and plugs are connected !**



Height	Frose-2R WW 22.6°	Diam.	Avg.	Nadir.E
0.5m		0.20m	2510 Lx	3683 Lx
1.0m		0.40m	628 Lx	921 Lx
1.5m		0.60m	279 Lx	409 Lx
2.0m		0.80m	157 Lx	230 Lx
2.5m		1.00m	114 Lx	166 Lx
3.0m		1.20m	70 Lx	102 Lx

A Non dimmable Driver

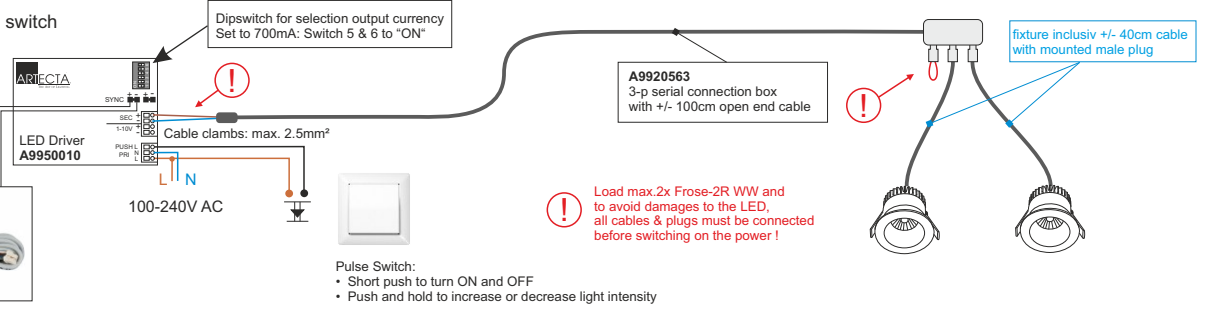
A9950024
Constant current LED-Driver
Constant current must be set to 700mA
Set microswitches 1 + 2 to "ON"
@230VAC 700mA 25W / Vf: 2-74
@110VAC 700mA 25W / Vf: 2-71



B Dimmable by A9950010 & pulse switch

A9950010
Constant current
700mA 15W / Vf: 2-43

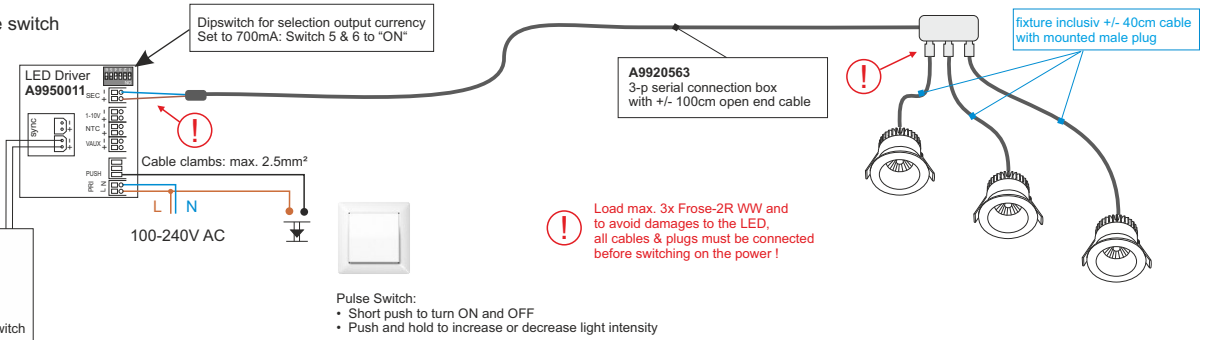
A9950017
Synchronise connection-cable to connect the next driver
Max 10 drivers can be connected and controlled by one Pulse Switch



C Dimmable by A9950011 & pulse switch

A9950011
Constant current
@230VAC 700mA 25W / Vf: 2-74
@110VAC 700mA 25W / Vf: 2-71

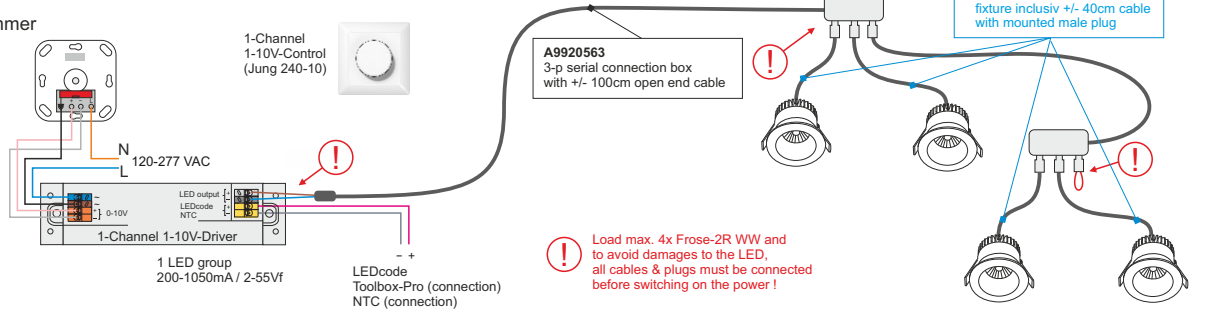
A9950017
Sync connection-cable to next driver
Max 10 drivers can be controlled by one switch



D 1-10V Dimmable by Rotary Dimmer

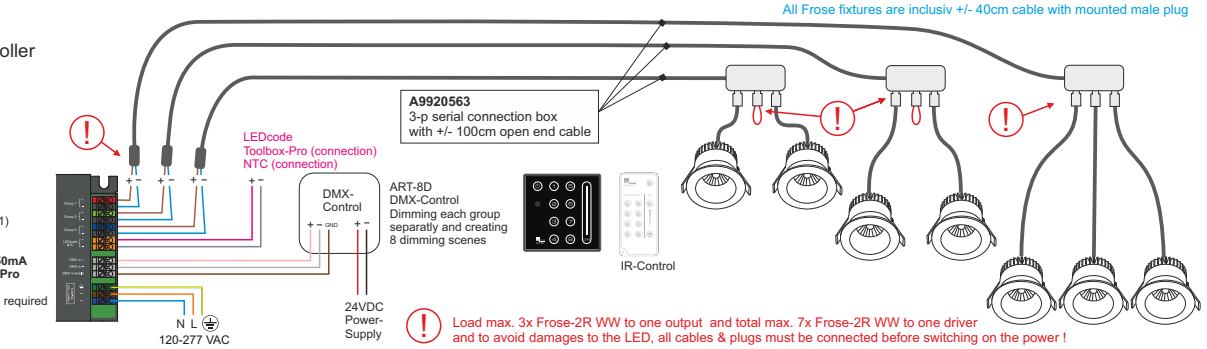
A9950360 EldoLED SoloDrive-30W SL0361 A
Dimmable 1-10V
LED constant current driver max. 30W

Constant Current output is standard set to 350mA
For 700mA setting the toolbox A9915056 is required



E Dimmable with EldoLED 3-channel Driver and DMX-controller

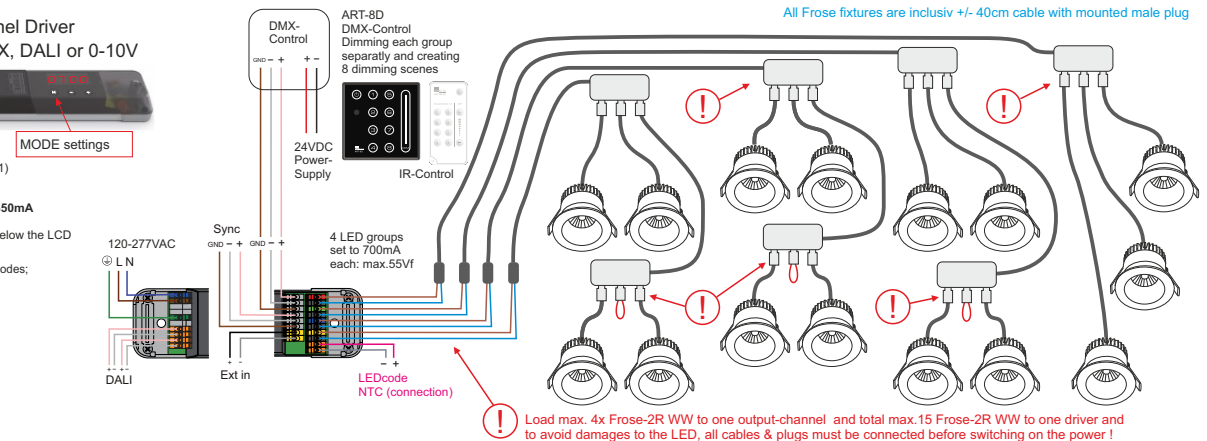
A9950044 EldoLED PowerDrive-50W (PWR0562 A1)
3 separately Dimmable LED outputs controllable by 3 DMX-Addresses
The constant current output is standard set to 350mA and must be set to 700mA by using the Toolbox Pro
Also for other settings, the Toolbox Pro A9915056 is required



F Dimmable with EldoLED 4-channel Driver stand-alone controlled or by DMX, DALI or 0-10V

A9950045 EldoLED PowerDrive-100W (PWR16 A1)
4 separately Dimmable LED outputs controllable by 4 DMX- or DALI Addresses or 1-10V
The constant current output is standard set to 350mA and must be set to 700mA
All settings, can be changed by 3 buttons (M, -, +) below the LCD

- The PowerDrive-100 can be set to different control-modes:
- 1 DMX-Channel: Fader-1 controls all 4 LEDs
 - 2 DMX-Channels: Fader-1 controls LED 1&2, Fader-2 controls LED 2&3
 - 4 DMX-Channels: Fader-1 controls LED-1, Fader-2 controls LED-2, Fader-3 controls LED-3, Fader-4 controls LED-4



A9950048 EldoLED PowerDrive-600W PW6060R
LED constant current driver max.600W

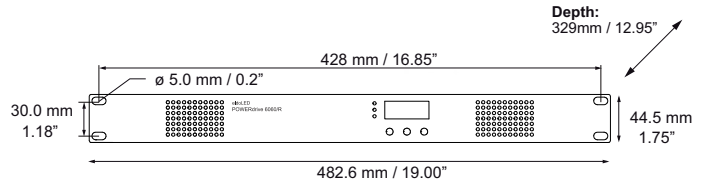
- Dimmable by 0-10V,
- Dimmable by DALI (4x DALI group)
- Dimmable by DMX & RDM (32x DMX channel)

• Stand-alone with 9 default shows, up to 20 user-defined shows, uploadable with TOOLbox and TOOLbox software

Constant Current output is standart set to 350mA
Connecting the Frose-2R, it must be set to 700mA

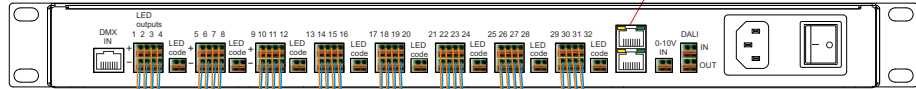
Universal input Voltage: 120V~277V 50/60Hz
Led outputs: 32x 200mA-1050mA
Power factor: > 0.9
min/max forward Voltage: 32x 2-48VDC

Full dimming control: 100% to 0%,
Choice of linear or logarithmic dimming curve
Maximum (rated) power available over wide LED-voltage (30-55V) range
NTC interface per 4 LED-outputs for robust thermal management
Dimensions L x W x H (mm):482.6(19")x324x44.5(1HE)
Weight: 6.1 Kg
Worldwide Certifications:
• CE,
• IEC 61347, IEC 62384, EN 55015,
EN 55022, IEC 61000-3-2, IEC 61547
• UL: pending

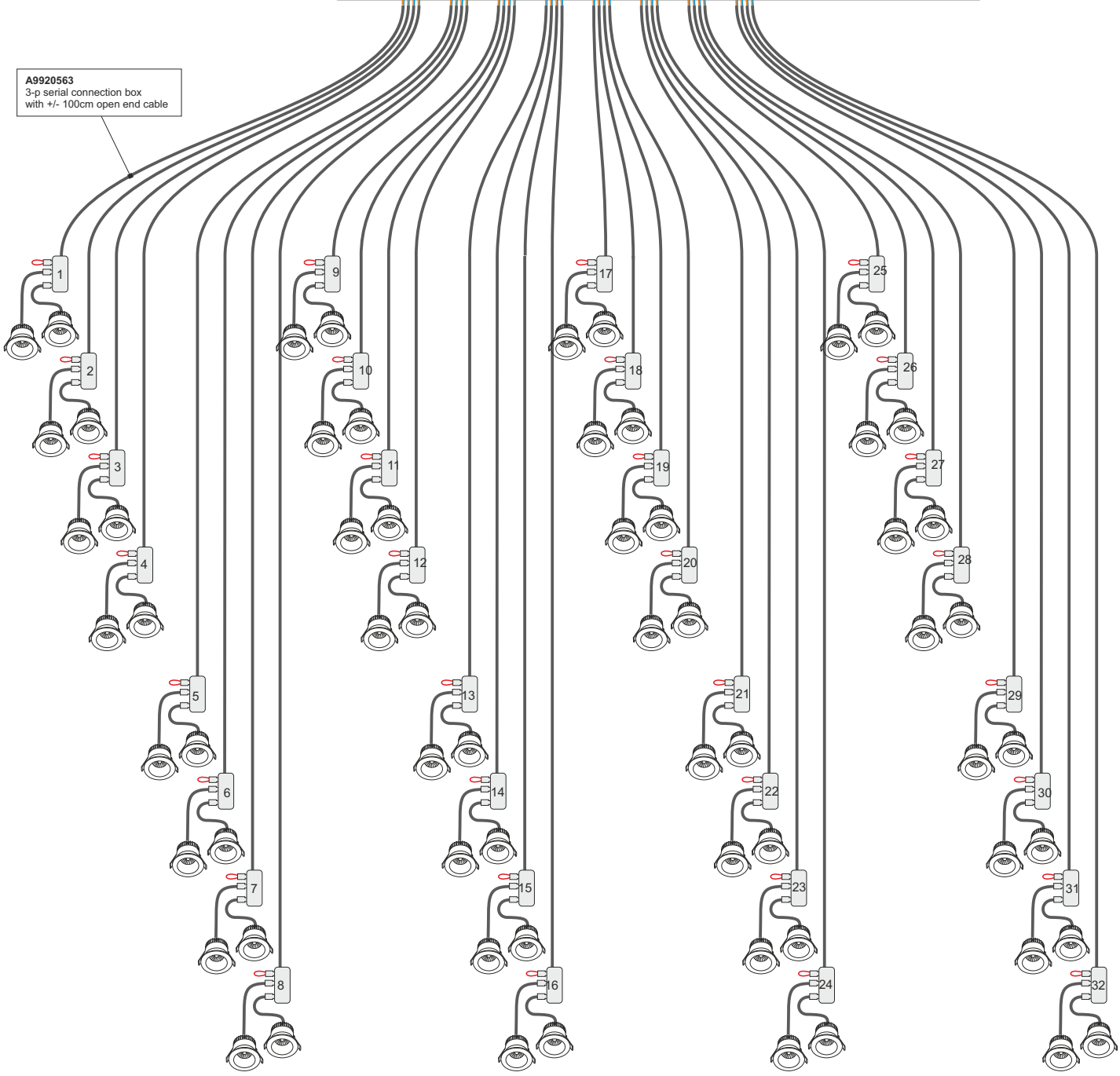


DMXRDM DALI 0-10V
CE LEDcode SHOWmaster

DMX 2x RJ-45 (CAD-5)
orange/white = DMX+
orange = DMX-
Brown/white = GND (shield)



A9920563
3-p serial connection box
with +/- 100cm open end cable



Each connector has 4 outputchannels. Load max. 2x Frose-2R WW, serial connected, to one output-channel and total max.64 Frose-2R WW to one driver and to avoid damages to the LED, all cables & plugs must be connected before switching on the power !