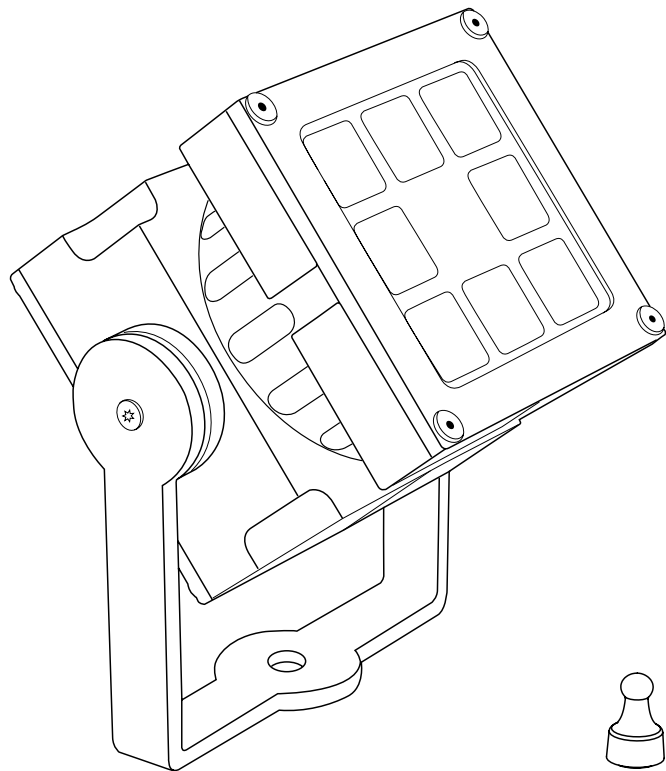
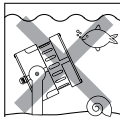


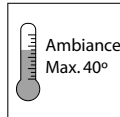

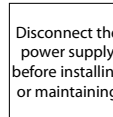
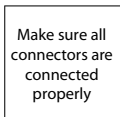
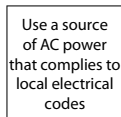
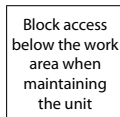
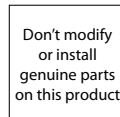
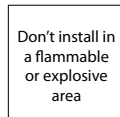
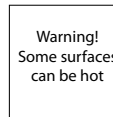


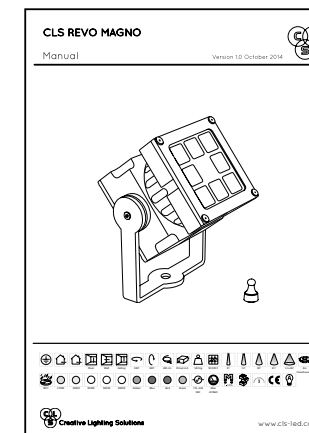
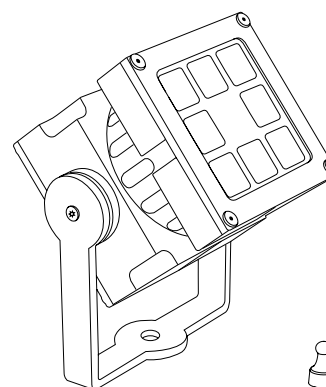
Index	2	Installation	4
Safety information	2	Magno dimming	5
Content	2	Lens replacement	6
Technical	3	Lens index	7
Specifications	3	List of symbols	8

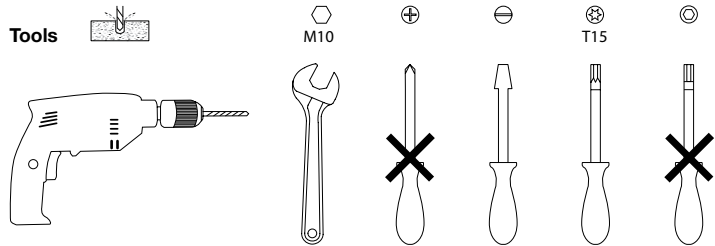
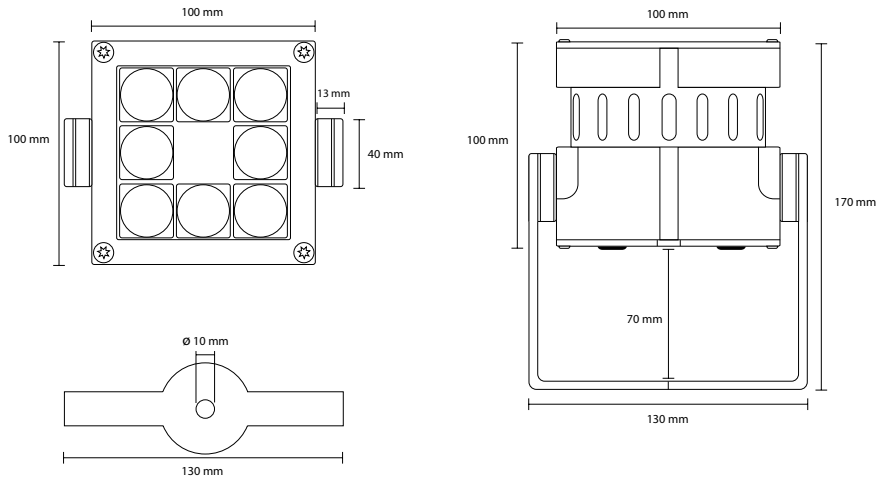


SAFETY INFORMATION

CONTENT



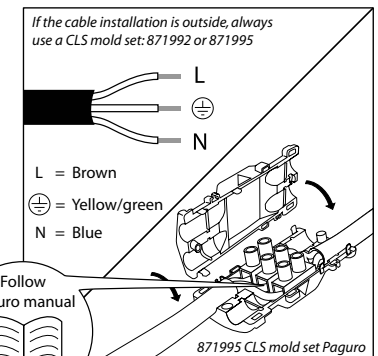
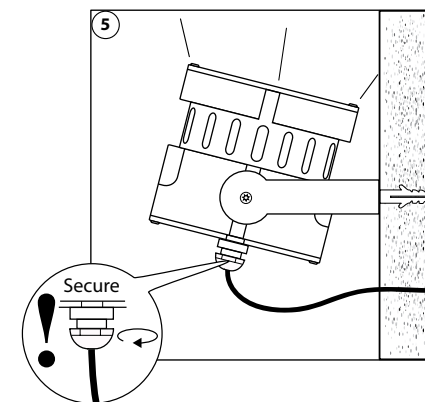
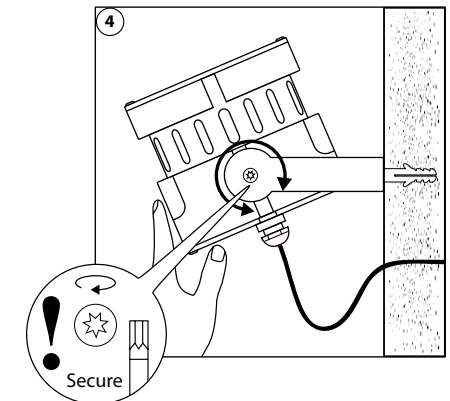
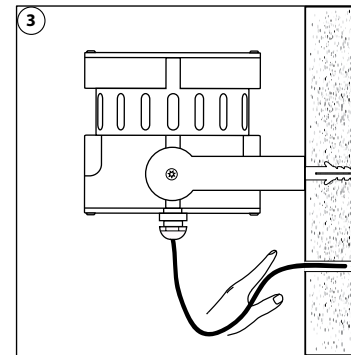
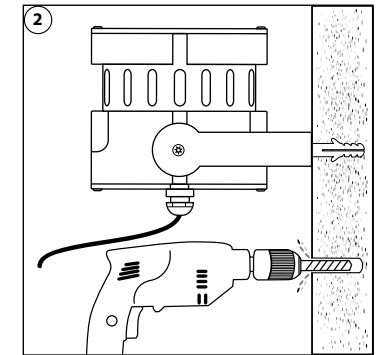
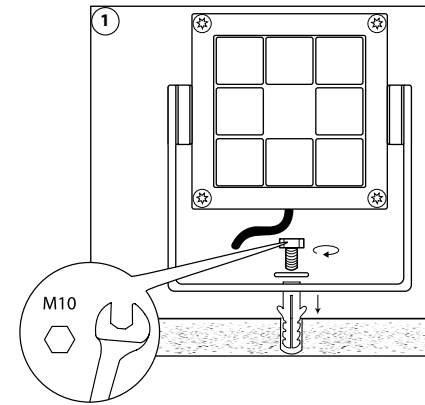


SPECIFICATIONS

LED: 8 x Cree or Luxeon Rebel
 Available colours: Extra warm white 2700K, warm white 3000K, neutral white 4000K, fresh white 5000K, cold white 6500K, amber, royal blue and red
 Lenses: 8°, 12°, 30°, 61° and 12x46°
 Power supply: 110 ~ 265 VAC
 Power consumption: Max. 20 Watt
 Housing: Anodised aluminum
 Weight: 1,9 kg
 IP value: IP67
 Cable length: 2 meters
 Measurements: 100 x 130 x 170 mm (h x w x d)
 Ambient temperature: -30° C till +40° C

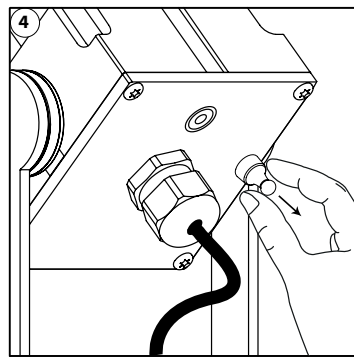
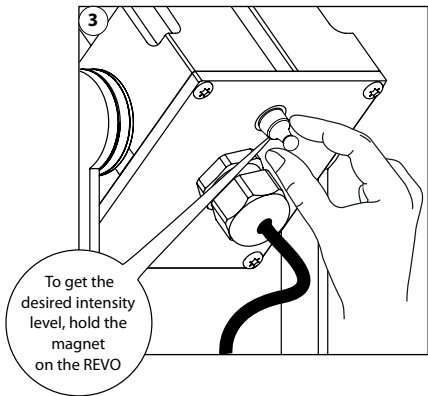
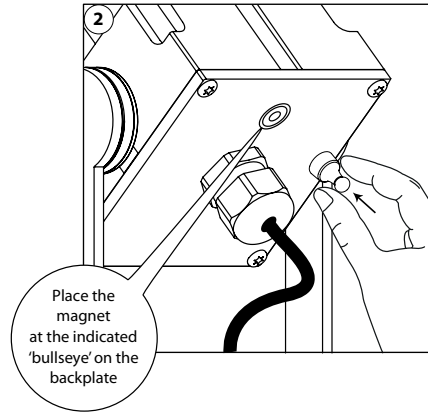
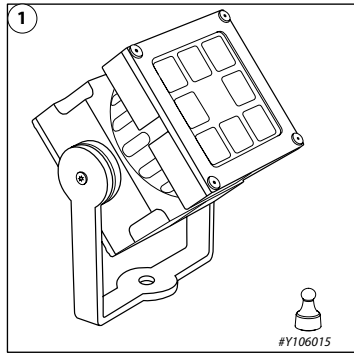
ACCESSORIES

110415 CLS REVO lens kit superspot 8° 8 pcs of lenses
 110425 CLS REVO lens kit spot 12° 8 pcs of lenses
 110435 CLS REVO lens kit medium flood 30° 8 pcs of lenses
 110445 CLS REVO lens kit wide flood 61° 8 pcs of lenses
 110455 CLS REVO lens kit elliptical 12x46° 8 pcs of lenses
 871995 CLS mold set Paguro grey
 Y106015 CLS Magnet pin (10 pcs)

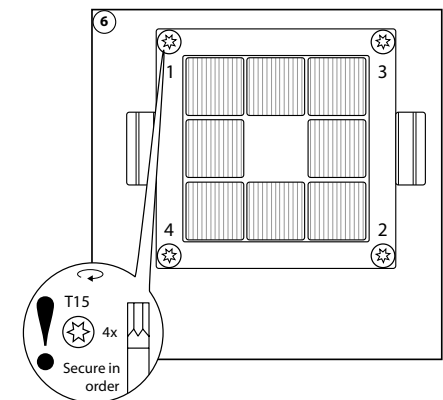
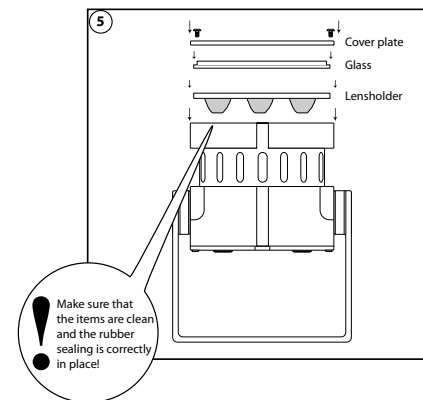
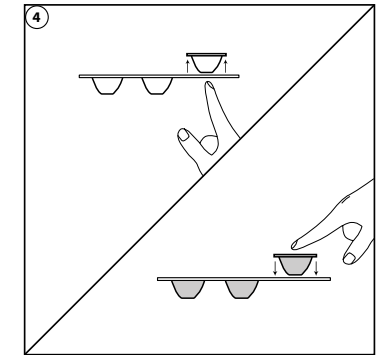
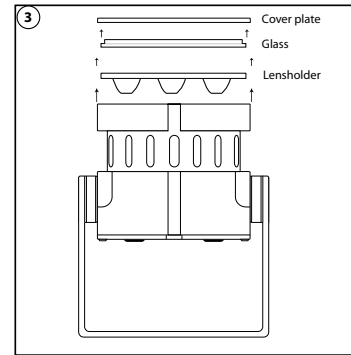
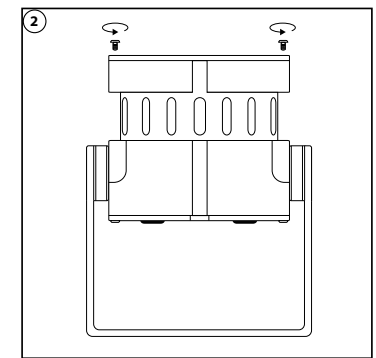
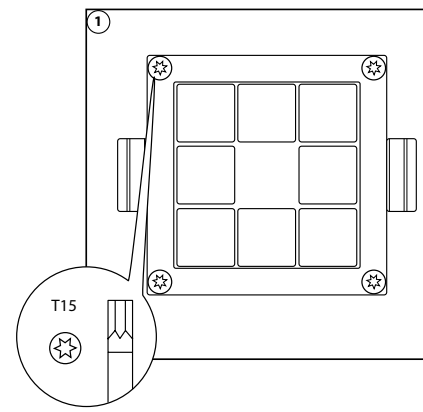


MAGNO DIMMING

LENS REPLACEMENT

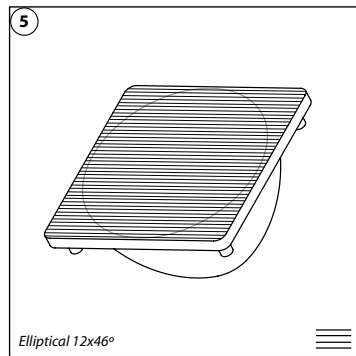
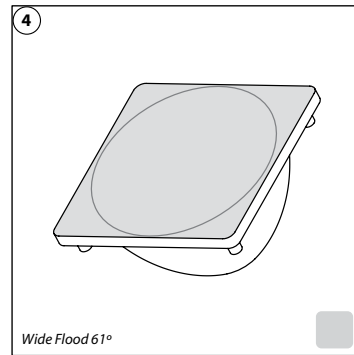
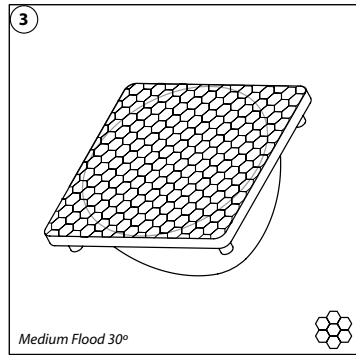
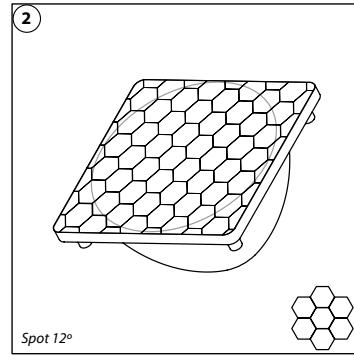
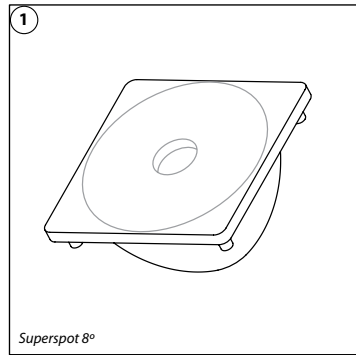


1. Place the magnet on the backplate, at the indicated spot.
2. The REVO starts slowly dimming from 100 - 1% in approx. 30 seconds. The dimming is very accurate and precise, so steps are very small.
3. At the desired intensity level, take away the magnet.
4. After 10 seconds the REVO flashes one time, the value has been stored on the internal memory.
5. When powering up the REVO, the stored value will be recalled from the internal memory.
6. If you want to have a lower value, replace the magnet and the REVO dims further to lower levels. To store the new setting repeat step 3 - 5.
7. If the REVO is being dimmed to Level 0 and you have not programmed a value, it will automatically start at Level 100 and dim back from 100 - 1%.



LENS INDEX

LIST OF SYMBOLS



2015 CLS-LED BV. All rights reserved. Information subject to change without notice, CLS-LED BV and all affiliated companies disclaim liability for injury, damage direct or indirect loss, consequential or economic loss or any other loss occasioned by the use of, inability to use or reliance on the information contained in this manual. No part of this manual may be reproduced, in any form or by any means, without permission in writing from CLS-LED BV. Other legal information can be found in our General conditions, found on the back of your CLS-LED BV invoice, inside the CLS catalogue or on our website www.cls-led.com/voorwaarden.pdf

	Protection class One, two or three		IP value Ingress Protection classifies the degrees of protection provided against the intrusion of the product
	Application area Indoor or outdoor		Colour Available colours; Amber, blue, red or green
	Application area Floor, wall or ceiling		White colour temperature In different Kelvin values; Cold white, neutral white, warm white or extra warm white
	Swivel Fixture is horizontally rotatable, indicated in degrees		Colour changing RGB, RGB-W, RGB-A or AWB
	Swivel Fixture is vertically rotatable, indicated in degrees		Dynamic White Stepless control of white light
	Multiple connection Daisychain connectivity		Curve Minimal bending curve in centimeters
	Installation depth In centimeters		Cutting length Indicated by the cutting marks
	Installation size In centimeters		LED pitch Pitch between the LEDs in millimeters
	Cable length Maximum cable attached to the fixture in centimeters		Power supply In VDC, VAC or milliAmpere
	Driver Inclusive or exclusive		Power consumption In VA or Watt
	Weight In grams/kilograms		Dimmable 1-10 Volt, Phase, individual or DMX dimmable
	Pressure Maximum pressure on the fixture in kg/cm ²		Magne dimming Accurate dimming from 100 - 1% by using a magnet
	Lifespan Of the light source in hours		DMX input Fixture works on DMX512 protocol
	Lenses Available lenses, indicated in degrees		Combined product Compose your own fixture
	LEDs Kind of LED used in the fixture		Warranty 3 years warranty on the product
	Plug & play Easy connection using the SmartConnect system		Conformité Européenne CE marking for free marketability of industrial-goods within the EU
			Energy label