

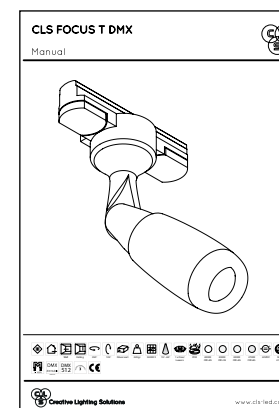
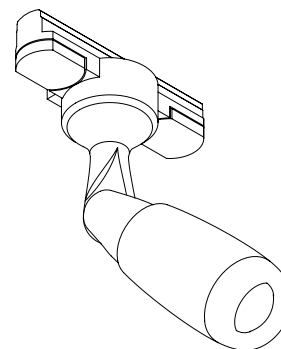
Index 2
 Safety information 2
 Content 2
 Technical 3
 Specifications 3

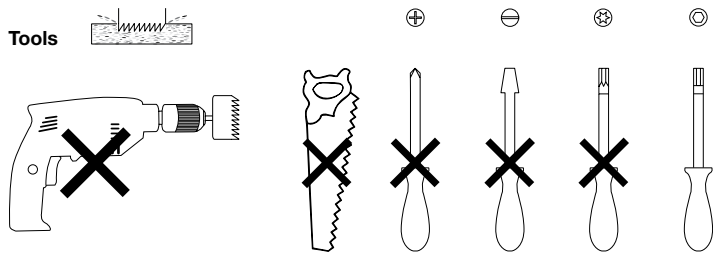
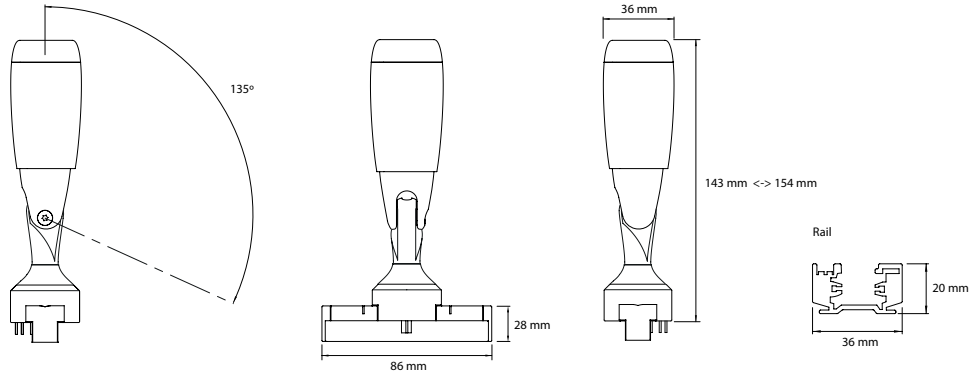
Accessories 3
 Programming 4
 Installation 6
 Magno dimming 7
 List of symbols 8

SAFETY INFORMATION

Make sure all connectors are connected properly	Use a source of AC power that complies local electrical codes	Block access below the work area when maintaining the unit	Don't modify or install genuine parts on this product	Don't install in a flammable or explosive area	Warning! Some surfaces can be hot

CONTENT



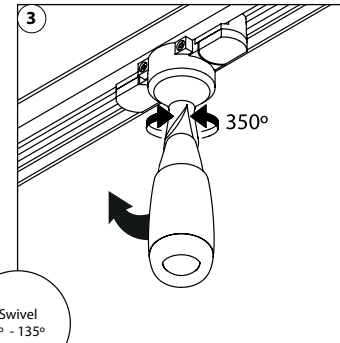
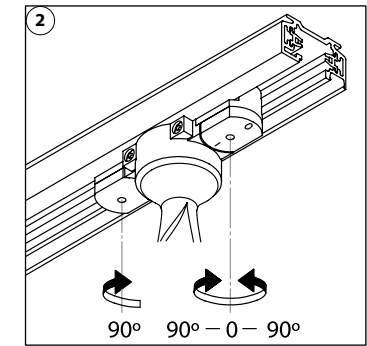
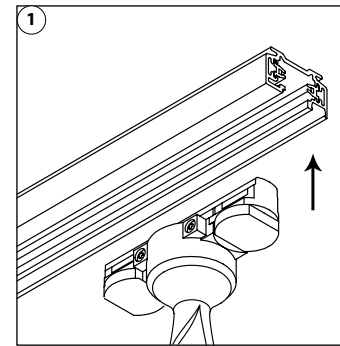


SPECIFICATIONS

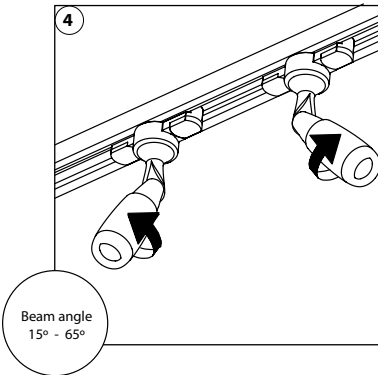
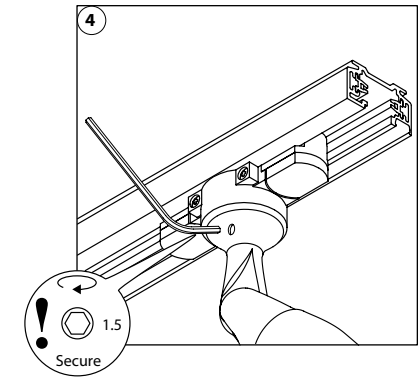
LED: 1 x Luxeon / Cree
 Available colours: CRI>85: 2700K, 3000K, 4000K
 CRI>95: 3000K
 Beam angle: 15° to 65°
 Power supply: 24 VDC
 Power consumption: Max. 4 Watt
 Housing: Black aluminum brushed
 Weight: 220 gr
 IP value: IP20
 Measurements: 143 x 86 x 36 mm (hwxwd)
 Ambient temperature: -10° C till +40° C

ACCESSORIES

Y110802 CLS 1-fase rail + data 1 meter black
 Y110812 CLS 1-fase rail + data 2 meter black
 Y110822 CLS 1-fase rail + data 3 meter black
 Y110822-** CLS 1-fase rail + data, other colors on request
 Y110838 CLS 1-fase rail + data mid-rail feed black
 Y110839 CLS 1-fase rail + data mid feed i-coupler black
 Y110840 CLS 1-fase rail + data end feed right black
 Y110841 CLS 1-fase rail + data end feed left black
 Y110842 CLS 1-fase rail + data end cap black
 Y110843 CLS 1-fase rail + data I-coupler PE outside black
 Y110844 CLS 1-fase rail + data I-coupler PE inside black
 Y110845 CLS 1-fase rail + data T-coupler PE inside black
 Y110846 CLS 1-fase rail + data T-coupler PE inside left black
 Y110847 CLS 1-fase rail + data coupler black
 Y110850 CLS 1-fase rail + data X-coupler black
 Y110851 CLS 1-fase rail + data Flex-coupler black
 Y110854-** CLS 1-fase rail + data, other colors on request

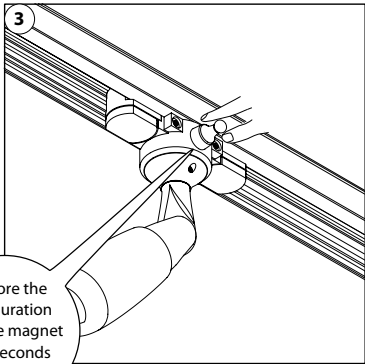
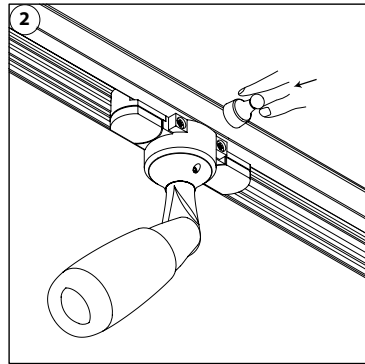
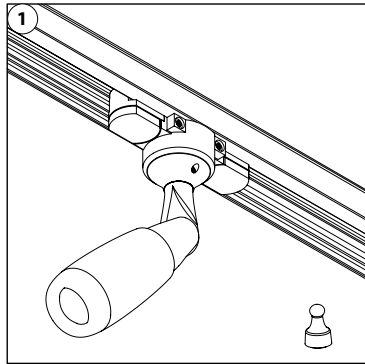


Swivel
0° - 135°

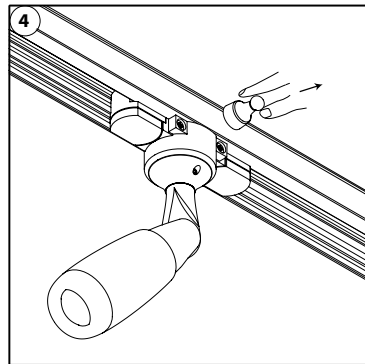


Beam angle
15° - 65°

PROGRAMMING



To store the configuration hold the magnet for 3 seconds on the Focus



Via DMX the Focus Compact can be configured. After setting the DMX to the desired values just hold the magnet on the Focus adapter (between the 2 screws). Hold the magnet for approximately 3 seconds (step 3), when holding the magnet on the Focus it will turn on and when programming has finished the Focus will turn off again. When the light does not turn off after 3 seconds repower and try again.

Addressing

To configure address (1-255) set data on DMX channel 1:

0 = no changes are made.

1-255 = address is set to 1-255.

To configure address (256-510) set data on DMX channel 2:

0 = no changes are made.

1-255 = address is set to 256-510.

Examples:

Address 132 => set data 132 on DMX channel 1.

Address 278 => set data 23 on DMX channel 2.

Static brightness

When DMX fails or is not present the programmed brightness will become active.

To configure the static function set DMX channel 3 to the desired brightness.

0 = no changes are made.

1 = function disabled.

2-255 = brightness of the fixture.

Soft dim option

When active the Focus will have soft dim curve.

To configure the soft dim function set data on DMX channel 4.

0 = no changes are made.

<127 = function turned off.

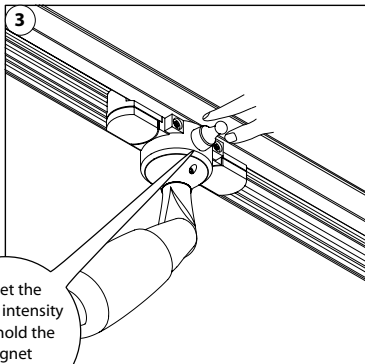
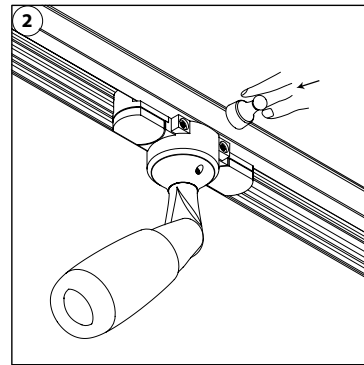
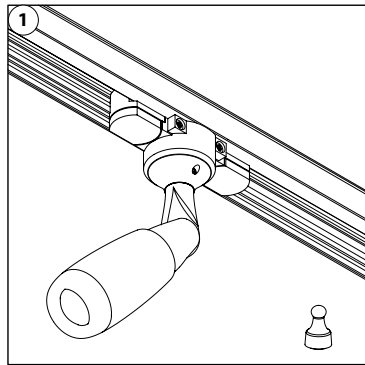
>127 = function turned on.

2014 CLS-LED BV. All rights reserved. Information subject to change without notice, CLS-LED BV and all affiliated companies disclaim liability for injury, damage direct or indirect loss, consequential or economic loss or any other loss occasioned by the use of, inability to use or reliance on the information contained in this manual. No part of this manual may be reproduced, in any form or by any means, without permission in writing from CLS-LED BV. Other legal information can be found in our General conditions, found on the back of your CLS-LED BV invoice, inside the CLS catalogue or on our website www.cls-led.com/voorwaarden.pdf

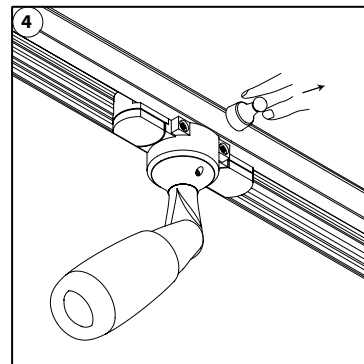
MAGNO DIMMING

Works without DMX

LIST OF SYMBOLS



To get the desired intensity level, hold the magnet on the Focus



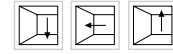
1. Place the magnet at the center between the 2 screws.
2. The Focus starts slowly dimming from 100 - 1% in approx. 30 seconds. The dimming is very accurate and precise, so steps are very small.
3. At the desired intensity level, take away the magnet.
4. After 10 seconds the Focus flashes one time, the value has been stored on the internal memory.
5. When powering up the Focus, the stored value will be recalled from the internal memory.
6. If you want to have a lower value, replace the magnet and the Focus dims further to lower levels. To store the new setting repeat step 3 - 5.
7. If the Focus is being dimmed to Level 0 and you have not programmed a value, it will automatically start at Level 100 and dim back from 100 - 1 %.



Protection class
One, two or three



Application area
Indoor or outdoor



Application area
Floor, wall or ceiling



Swivel
Fixture is horizontally rotatable, indicated in degrees



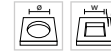
Swivel
Fixture is vertically rotatable, indicated in degrees



Multiple connection
Daisychain connectivity



Installation depth
In centimeters



Installation size
In centimeters



Cable length
Maximum cable attached to the fixture in centimeters



Driver
Inclusive or exclusive



Weight
In grams/kilograms



Pressure
Maximum pressure on the fixture in kg/cm²



Lifespan
Of the light source in hours



Lenses
Available lenses, indicated in degrees



LEDs
Kind of LED used in the fixture



Plug & play
Easy connection using the SmartConnect system



IP value
Ingress Protection classifies the degrees of protection provided against the intrusion of the product



Colour
Available colours; Amber, blue, red or green



White colour temperature
In different Kelvin values; Cold white, neutral white, warm white or extra warm white



Colour changing
RGB, RGB-W or RGB-A



Dynamic White
Stepless control of white light



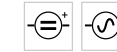
Curve
Minimal bending curve in centimeters



Cutting length
Indicated by the cutting marks



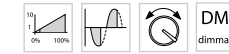
LED pitch
Pitch between the LEDs in millimeters



Power supply
In VDC, VAC or milliAmpere



Power consumption
In VA or Watt



Dimmable
1-10 Volt, Phase, individual or DMX dimmable



Magno dimming
Accurate dimming from 100 - 1% by using a magnet



DMX input
Fixture works on DMX512 protocol



Combined product
Compose your own fixture



Warranty
3 years warranty on the product



Conformité Européenne
CE marking for free marketability of industrial goods within the EU



Energy label