

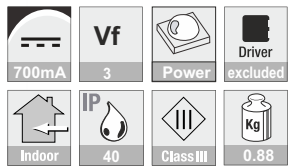
## ORLY-25SQ WW

Ordernr: A0139825

Lamptype: recessed down-light  
 Beam Angle 25°  
 1x 3 W warm-white LED  
 Equivalent Luminous Flux:  $\Phi_{\text{eff}}$  97.32 Lm  
 Efficiency:  $\text{Eff}$ =46.35Lm/W  
 I<sub>max</sub>: 1190cd (C=0.0°, G=0.0°)  
 Light direction: direct with frost glass

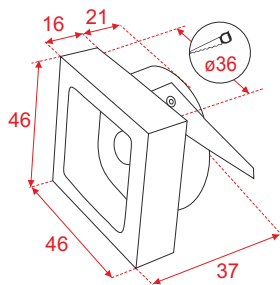
Housing: solid Aluminium white powdercoated RAL9003  
 Weight: 0.08 Kg  
 Dimensions fixture: 46 x 46 x 37 mm  
 Classification: IP-40 Class III  
 Operating Power: constant current 700mA  
 Typical forward Voltage Vf: 3V  
 Excluded (external) LED-driver

Advised Dimmable or Non dimmable LED-drivers: 700mA (see next pages)



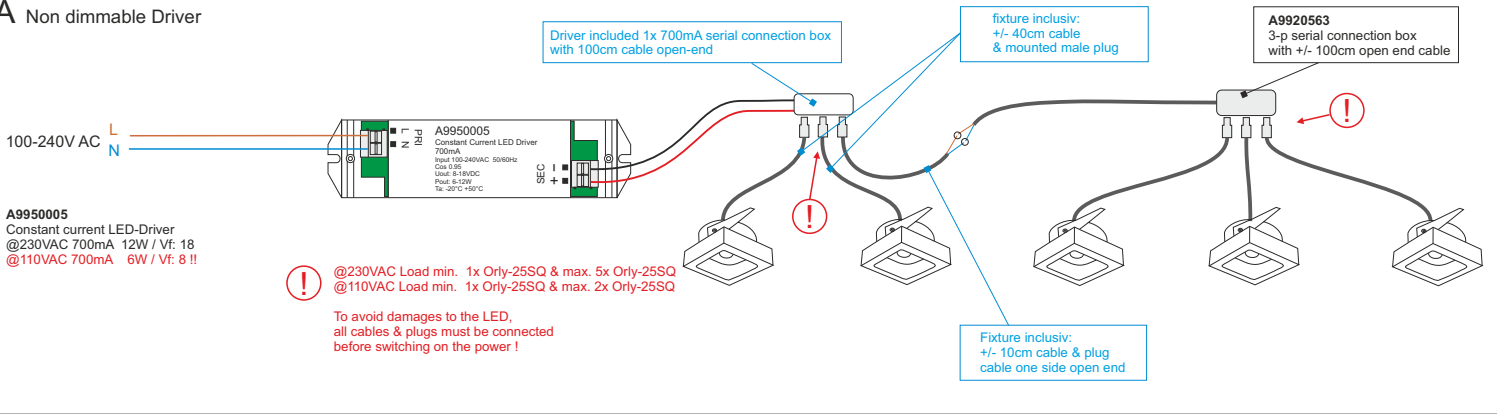
**Always disconnect the mains of the LED driver before plugging or unplugging the LED's !!**  
 The LED's will be damaged or destroyed because of the high voltage present on the driver output when there is no load connected. **Connect the main after all Led's and plugs are connected !**

Dimensions in mm

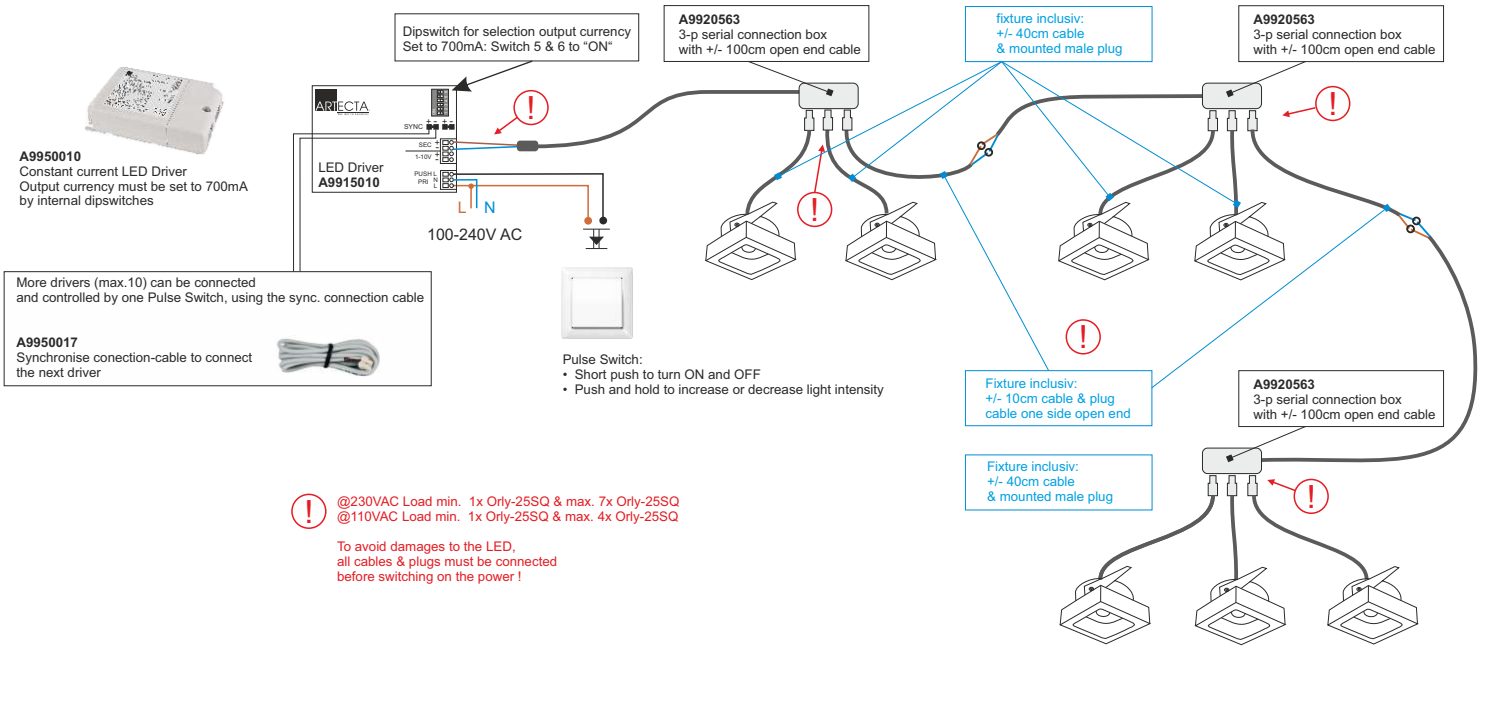


Height	Orly-25	12.9°	Øm	Avg.	Nadir.E
0.5m			0.11m	3493 Lx	4760 Lx
1.0m			0.22m	873 Lx	1190 Lx
1.5m			0.34m	388 Lx	529 Lx
2.0m			0.45m	218 Lx	298 Lx
2.5m			0.57m	158 Lx	215 Lx
3.0m			0.68m	97 Lx	132 Lx

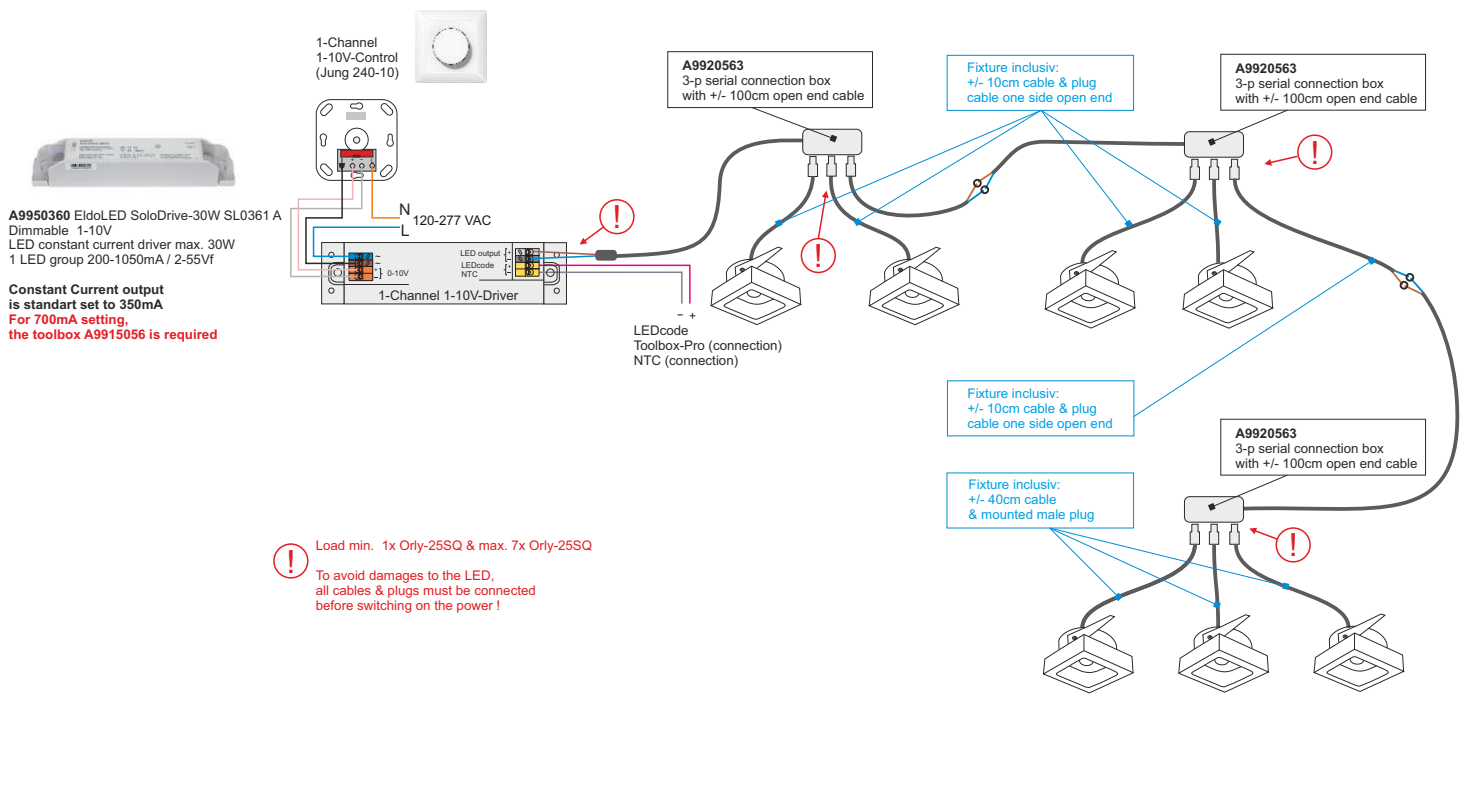
## A Non dimmable Driver



## B Dimmable by A9910010 & pulse switch



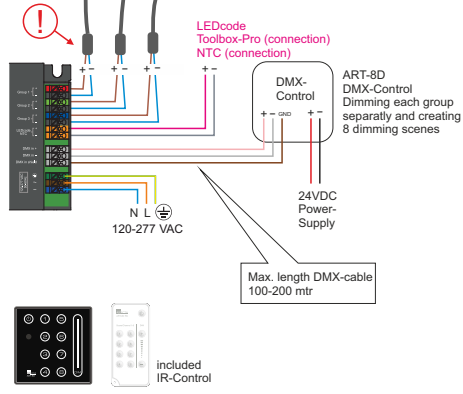
## D 1-10V Dimmable by Rotary Dimmer



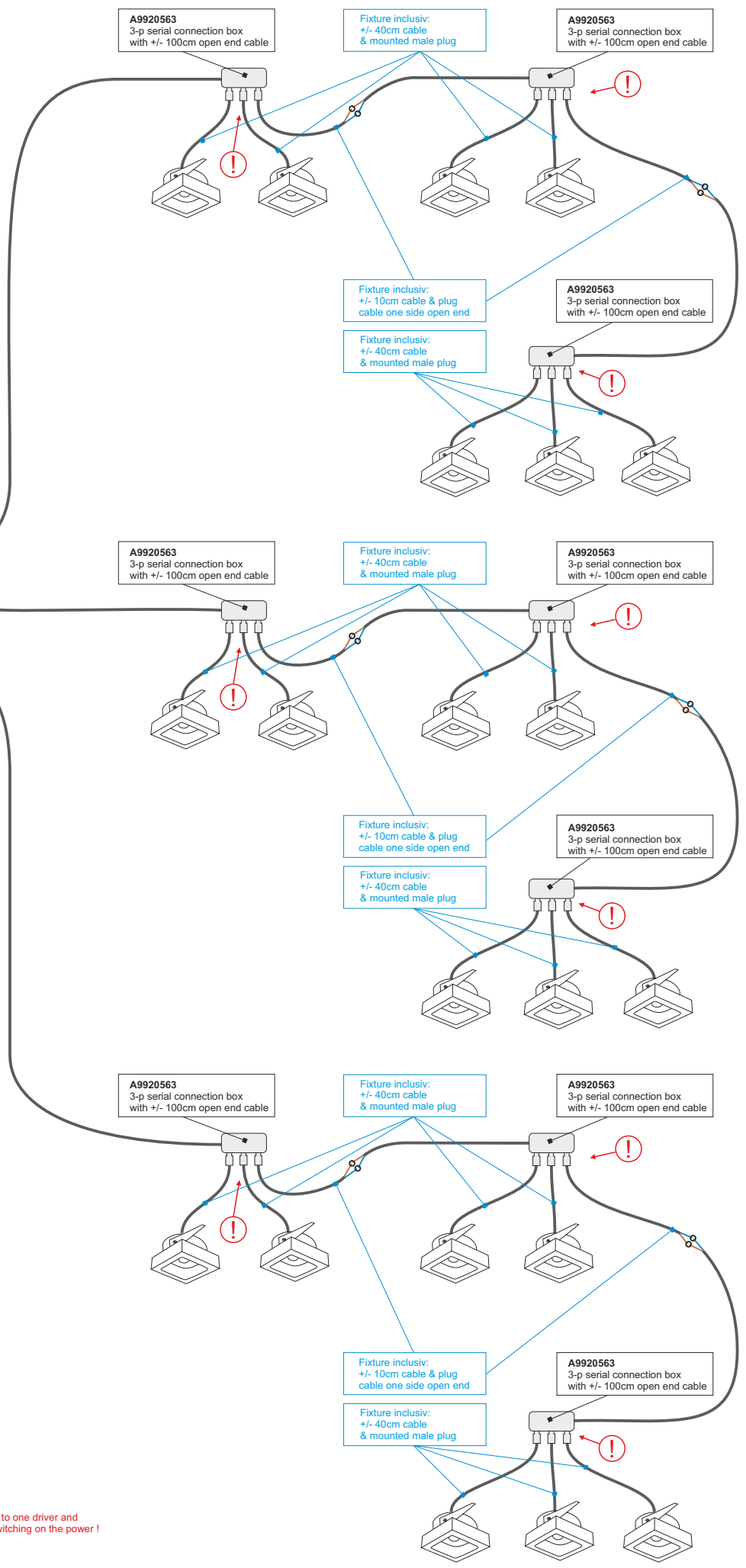
# E Dimmable with EldoLED 3-channel Driver and DMX-controller



**A9950044 EldoLED PowerDrive-50W (PWR0562 A1)**  
3 separately Dimmable LED outputs  
controllable by 3 DMX-Addresses  
**The constant current output is stand set to 350mA**  
For other settings, the toolbox Pro A9915056 is required



Up to 8 LED-Groups can be controlled by the ART-8D DMX-Controller.  
Each group can be dimmed separately and 8 dimming scenes can be recorded



**!** Load max. 7x Orly-25SQ to one output-channel and total max. 21 Orly-25SQ to one driver and to avoid damages to the LED, all cables & plugs must be connected before switching on the power !

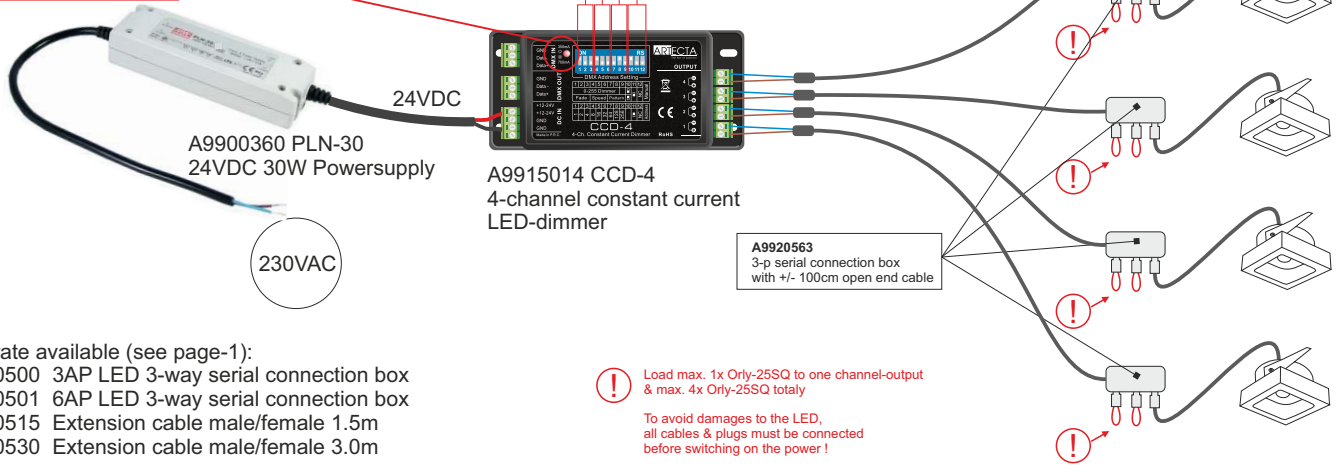


**G-1** Stand-alone Mode with A9915014 CCD-4  
4-channel constant current PWM-Dimmer

- in stand-alone mode, using the built-in (fade)-Patterns

**NOTE!! The CCD-4 must be set to 700mA (read the CCD-4 manual)**

- Button: 1,2,3 Set fade time
- Button: 4,5,6 Set running speed
- Button: 7,8,9 Set Patterns
- Button: 10 set to ON
- Button: 11 set to OFF
- Button: 12 no function



- Separate available (see page-1):
- A9920500 3AP LED 3-way serial connection box
  - A9920501 6AP LED 3-way serial connection box
  - A9920515 Extension cable male/female 1.5m
  - A9920530 Extension cable male/female 3.0m

⚠ Load max. 1x Orly-25SQ to one channel-output & max. 4x Orly-25SQ totally

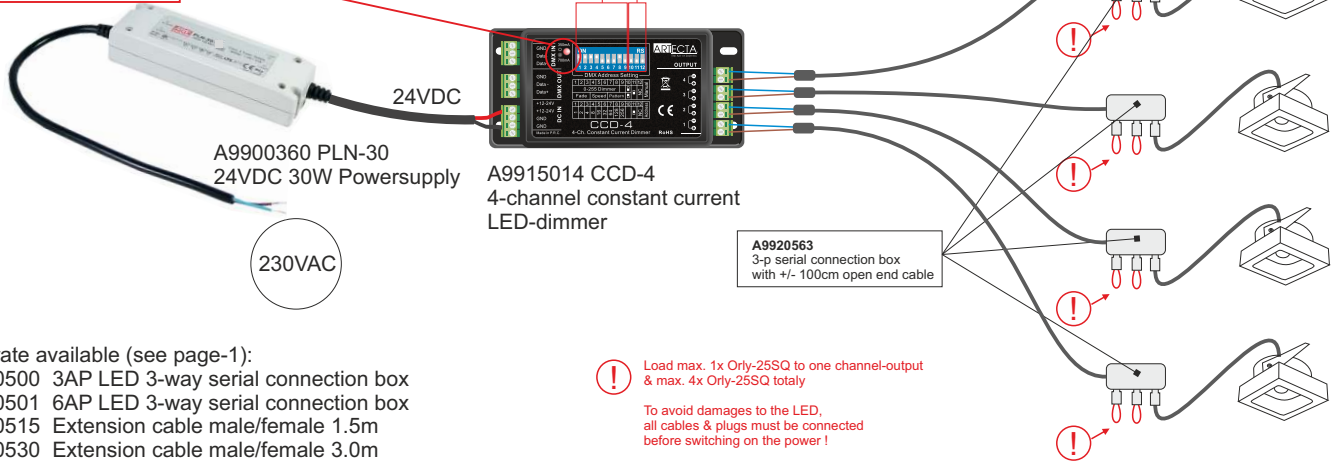
To avoid damages to the LED, all cables & plugs must be connected before switching on the power!

**G-2** Stand-alone Mode with A9915014 CCD-4  
4-channel constant current PWM-Dimmer

- in stand-alone mode, using the dimmer function

**NOTE!! The CCD-4 must be set to 700mA (read the CCD-4 manual)**

- Button: 1, 2, 3, 4, 5, 6, 7, 8, 9 Set dimming by set more buttons to ON
- Button: 10 set to OFF
- Button: 11 set to OFF
- Button: 12 no function



- Separate available (see page-1):
- A9920500 3AP LED 3-way serial connection box
  - A9920501 6AP LED 3-way serial connection box
  - A9920515 Extension cable male/female 1.5m
  - A9920530 Extension cable male/female 3.0m

⚠ Load max. 1x Orly-25SQ to one channel-output & max. 4x Orly-25SQ totally

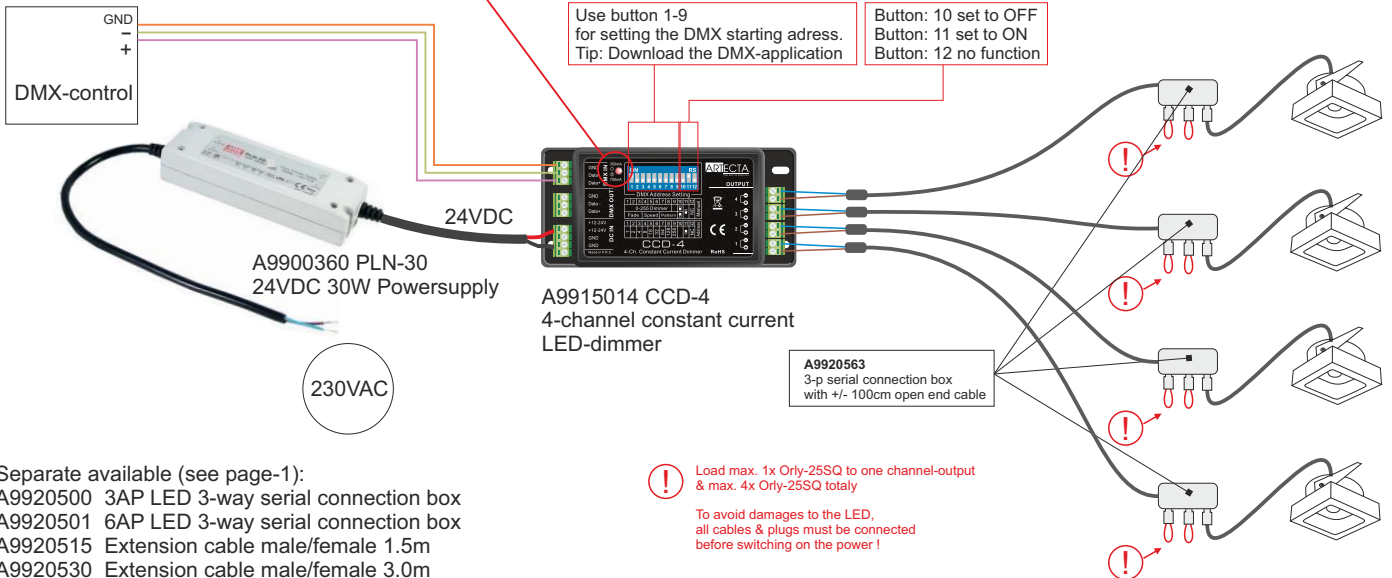
To avoid damages to the LED, all cables & plugs must be connected before switching on the power!

**G-2** Stand-alone Mode with A9915014 CCD-4  
4-channel constant current PWM-Dimmer

- DMX-controlled by an external controller

**NOTE!! The CCD-4 must be set to 700mA (read the CCD-4 manual)**

- Use button 1-9 for setting the DMX starting address. Tip: Download the DMX-application
- Button: 10 set to OFF
- Button: 11 set to ON
- Button: 12 no function



- Separate available (see page-1):
- A9920500 3AP LED 3-way serial connection box
  - A9920501 6AP LED 3-way serial connection box
  - A9920515 Extension cable male/female 1.5m
  - A9920530 Extension cable male/female 3.0m

⚠ Load max. 1x Orly-25SQ to one channel-output & max. 4x Orly-25SQ totally

To avoid damages to the LED, all cables & plugs must be connected before switching on the power!