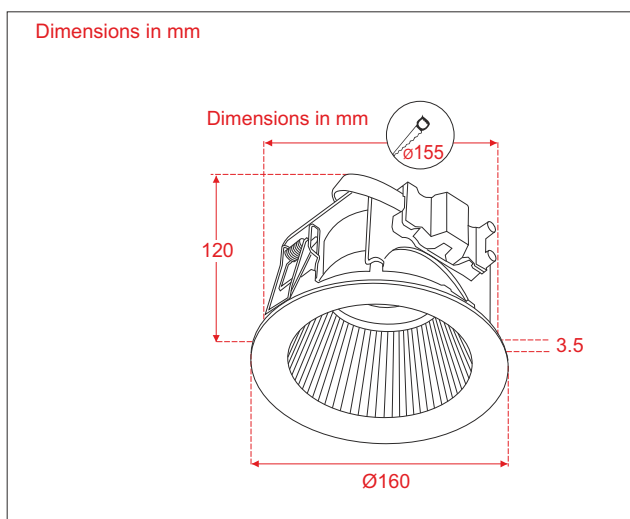
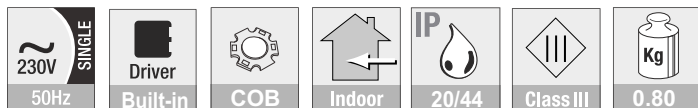


A0135160 Mainz-R 160 WW 14W 1100Lm 3000K

Aluminum white anodized cover ring

Lamp type: recessed down-light

CRI: 80
 UGR: <19
 Beam angle reflector: 50°
 Operating Power: 220-230VAC/50Hz
 Housing: solid Aluminum
 Reflector: Aluminum/anti-glare
 Cover Ring: PMMA White
 Weight: 0.8 Kg
 Dimensions fixture: ø160 x 120 mm
 Classification: IP20 Class III
 Cable length: 1000mm
 Included (internal) LED-driver
 IES-Files available



Height	Mainz-R 160WW 50°	Ø m	Emax
0.5m		0.47	1508 Lx
1.0m		0.94	377 Lx
1.5m		1.41	236 Lx
2.0m		1.88	94 Lx
2.5m		2.35	68 Lx
3.0m		2.82	42 Lx