

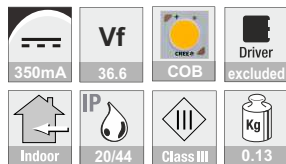
**A0137011 Unna-85R WW**  
12.8 Watt COB-LED(Cree CXA1507) 3000K

CRI: 80  
Nom. Flux: 779Lm

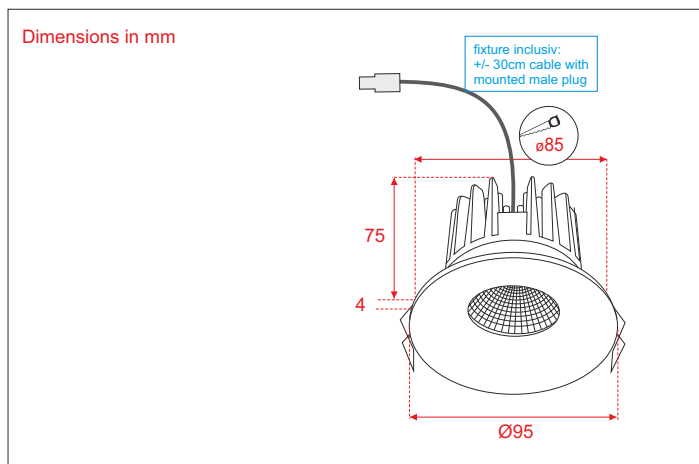
Lamptype: recessed down-light  
Reflector: with 35.6° homogeneous light beam  
Antiglare protection







Housing: solid Aluminium  
Frontring: white powdercoated RAL9003  
Weight: 0.13 Kg  
Dimensions fixture: 95 x 75 mm  
Fixture Classification: IP-20 Class III  
Front Classification: IP-44

Operating Power: constant current 350mA  
Excluded (external) LED-driver  
Advised LED-drivers: 350mA (dimnable or non dimnable)



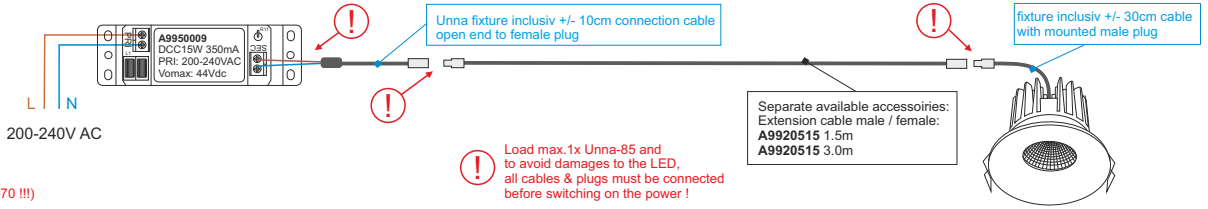
**Always disconnect the mains of the LED driver before plugging or unplugging the LED's !!**  
The LED's will be damaged or destroyed because of the high voltage present on the driver output when there is no load connected. **Connect the main after all Led's and plugs are connected !**



Height	Unna-85-SQ WW 35.6°	Diam.	Nadir.E
0.5m		0.32m	1496 Lx
1.0m		0.64m	374 Lx
1.5m		0.96m	234 Lx
2.0m		1.28m	93 Lx
2.5m		1.60m	68 Lx
3.0m		1.92m	42 Lx

### A Non dimmable Driver

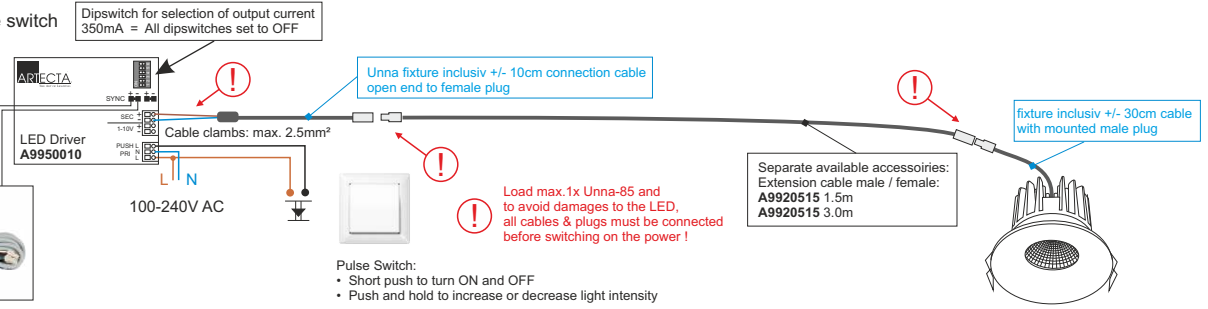
**A9950009**  
Constant current LED-Driver  
@230VAC 350mA 15W / Vf: 2-43  
@110VAC 350mA 10W (not suitable for 1x Unna-70 !!!)



### B Dimmable by A9950010 & pulse switch

**A9950010**  
Constant current  
350mA 15W / Vf: 2-43

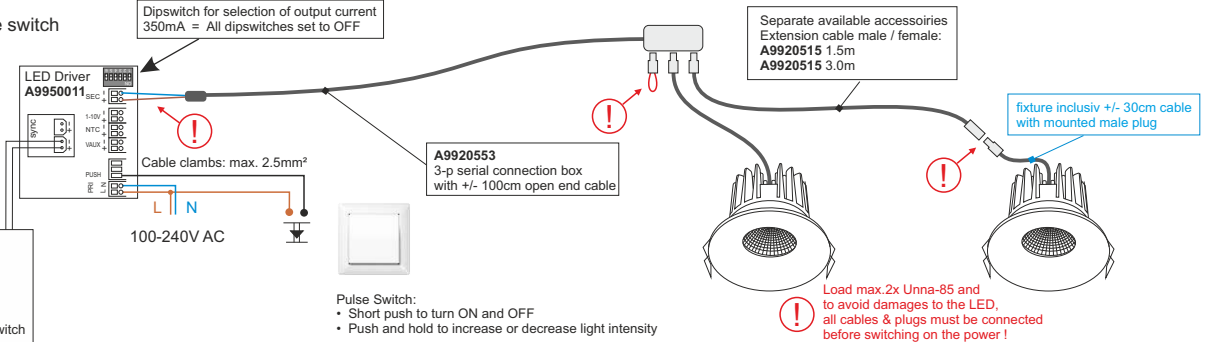
**A9950017**  
Synchronise connection-cable to connect the next driver  
Max 10 drivers can be connected and controlled by one Pulse Switch



### C Dimmable by A9950011 & pulse switch

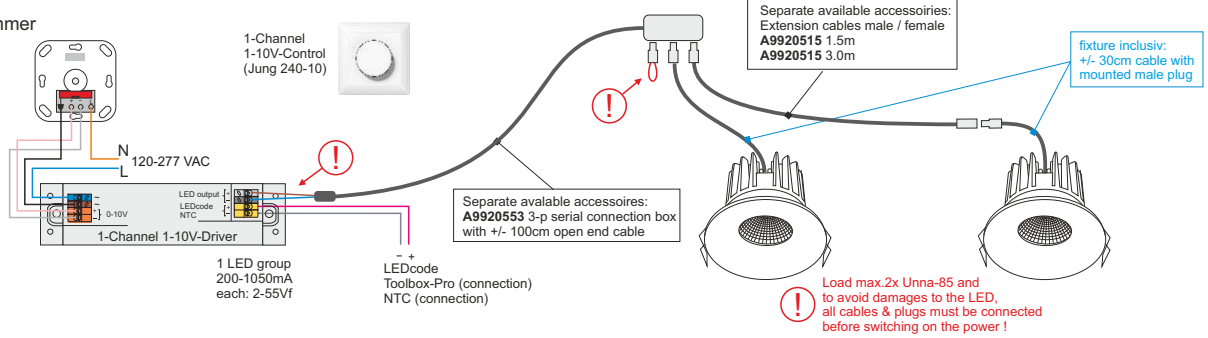
**A9950011**  
350mA 25W  
Constant current / Vf: 2-74

**A9950017**  
Sync connection-cable to next driver  
Max 10 drivers can be controlled by one switch



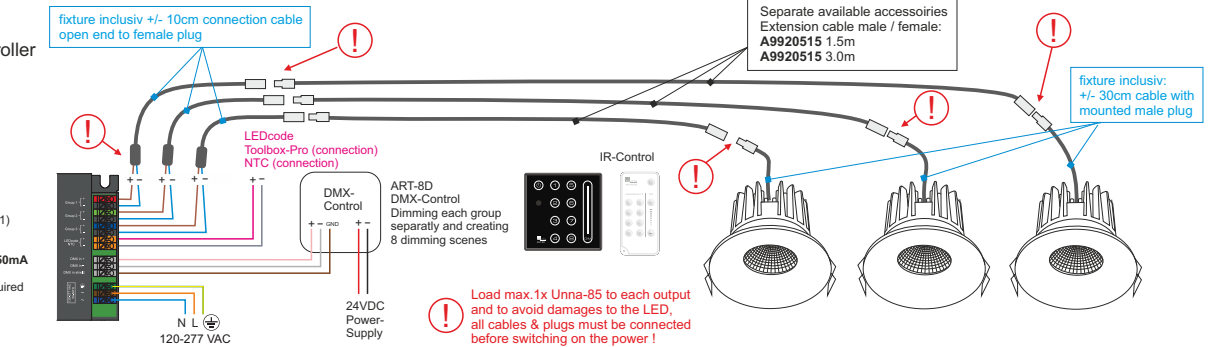
### D 1-10V Dimmable by Rotary Dimmer

**A9950360** EldoLED SoloDrive-30W SL0361 A  
Dimmable 1-10V  
LED constant current driver max. 30W  
Constant Current output is standard set to 350mA  
(For all other settings, the toolbox A9915056 is required)



### E Dimmable with EldoLED 3-channel Driver and DMX-controller

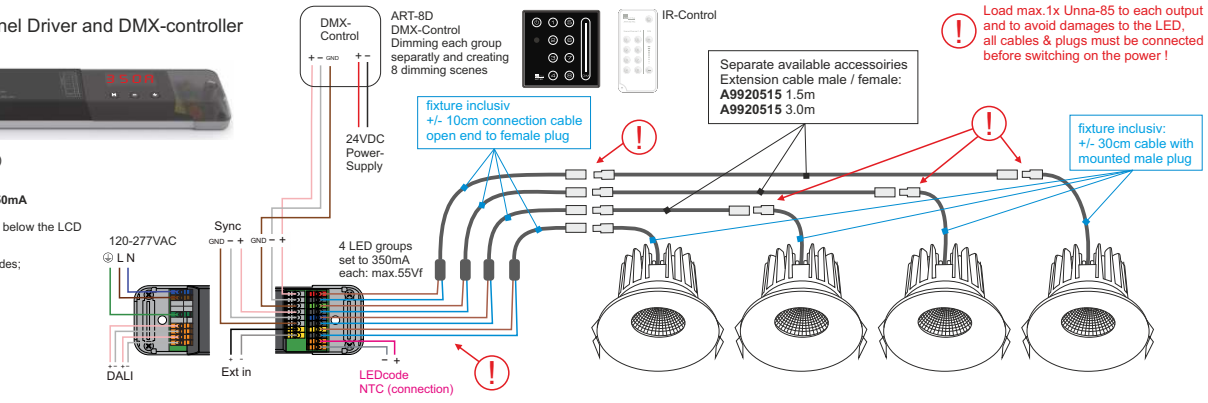
**A9950044** EldoLED PowerDrive-50W (PWR0562 A1)  
3 separately Dimmable LED outputs  
controllable by 3 DMX-Addresses  
The constant current output is standard set to 350mA  
For other settings, the toolbox Pro A9915056 is required



### F Dimmable with EldoLED 4-channel Driver and DMX-controller

**A9950045** EldoLED PowerDrive-100W (PWR16 A1)  
4 separately Dimmable LED outputs  
controllable by 4 DMX- or DALI-Addresses or 1-10V  
The constant current output is standard set to 350mA  
Other settings, can be changed by 3 buttons (M - +) below the LCD

- The PowerDrive-100 can be set to different control-modes;
- 1 DMX-Channel: Fader-1 controls all 4 LEDs
  - 2 DMX-Channels: Fader-1 controls LED 1&2  
Fader-2 controls LED 2&3
  - 4 DMX-Channels: Fader-1 controls LED-1,  
Fader-2 controls LED-2,  
Fader-3 controls LED-3  
Fader-4 controls LED-4



**A9950048 EldoLED PowerDrive-600W PW6060R**  
**LED constant current driver max.600W**

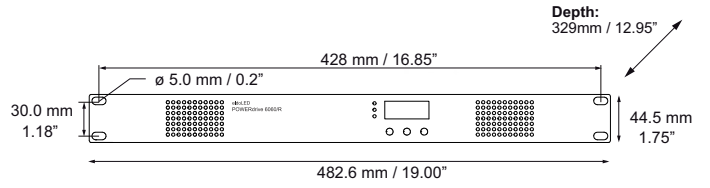
- Dimmable by 0-10V,
- Dimmable by DALI (4x DALI group)
- Dimmable by DMX & RDM (32x DMX channel)

• Stand-alone with 9 default shows, up to 20 user-defined shows, uploadable with TOOLbox and TOOLbox software

**Constant Current output is standart set to 350mA**  
**Connecting the Unna-85R, it must be set to 350mA**

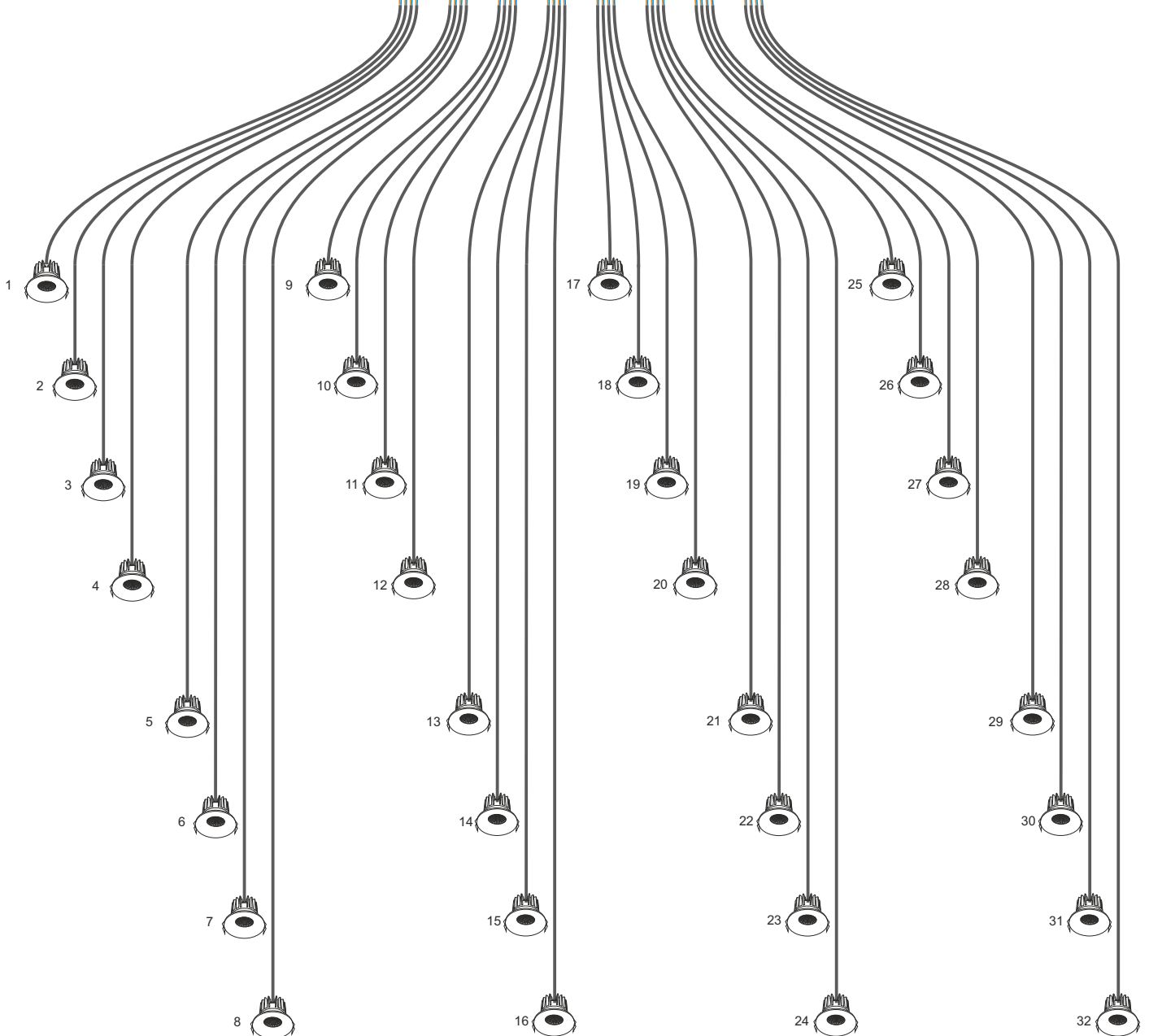
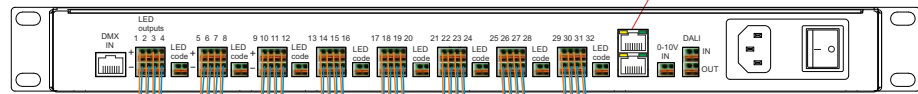
Universal input Voltage: 120V~277V 50/60Hz  
 Led outputs: 32x 200mA-1050mA  
 Power factor: > 0.9  
 min/max forward Voltage: 32x 2-48VDC

- Full dimming control: 100% to 0%,
- Choice of linear or logarithmic dimming curve
- Maximum (rated) power available over wide LED-voltage (30-55V) range
- NTC interface per 4 LED-outputs for robust thermal management
- Dimensions L x W x H (mm):482.6(19")x324x44.5(1HE)
- Weight: 6.1 Kg
- Worldwide Certifications:
  - CE,
  - IEC 61347, IEC 62384, EN 55015,
  - EN 55022, IEC 61000-3-2, IEC 61547
  - UL: pending



**DMX RDM** **DALI** **0-10V**  
**CE LEDcode SHOWmaster**

DMX 2x RJ-45 (CAD-5)  
 orange/white = DMX+  
 orange = DMX-  
 Brown/white = GND (shield)



Each connector has 4 outputchannels. Load max. 1x Unna-85R WW to one output-channel and total max. 32 Unna-85R WW to one driver.  
 To avoid damages to the LED, all cables & plugs must be connected before switching on the power !