

A9950010 LED dimmable driver universal max 25W

Multi-power driver with dip-switch for output-selection (constant direct current or constant direct voltage)

Dimmable 1-10V & Push dim

Prim. Voltage: 110V~240V 50~60Hz

Max input current: 0.16A

Power factor λ : =0.95

Sec.: 350-700mA 10/12/24V (see dip-switch setting)

ta °C: -20° +50°

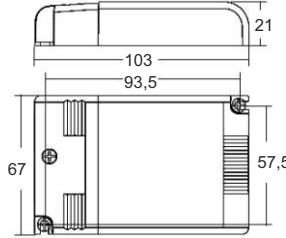
tc °C: 75°

Protection against overheating, short circuit & overloads

Dimension L x W x H (mm): 103 x 67 x 21

Weight: 0.11 Kg

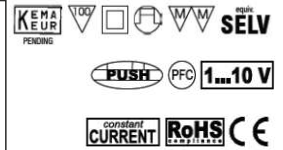
Protection: IP-20 Class II



Dip-switch setting for direct constant current output-selection

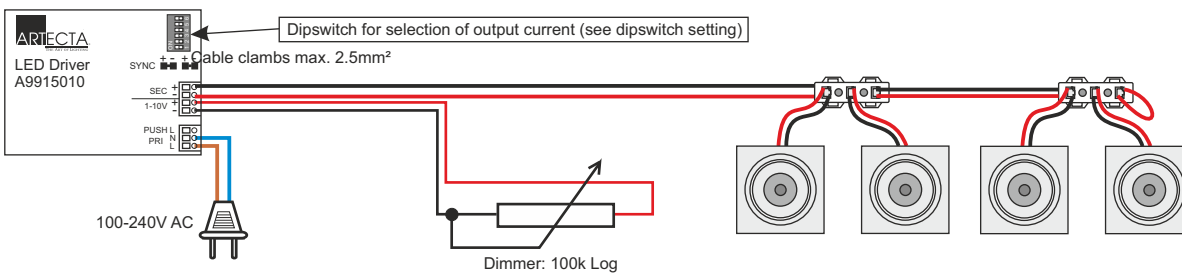
SEC:	Micro-switch setting						Input Voltage: 220..240VAC		Input Voltage: 110..127VAC		ta max.
	6	5	4	3	2	1	Max load:	Vf:	Max load:	Vf:	
350mA	—	—	—	—	—	—	15W +/-6%	2.43V	15W +/-6%	2.43V	50°
500mA	ON	—	—	—	—	—	22W +/-5%	2.43V	15W +/-5%	2..30V	50°
550mA	—	ON	—	—	—	—	22W +/-5%	2.43V	15W +/-5%	2..30V	50°
700mA	ON	ON	—	—	—	—	25W +/-5%	2.36V	15W +/-5%	2.21V	50°
750mA	—	ON	ON	—	—	—	25W +/-5%	2.34V	15W +/-5%	2.21V	50°

Optional:
 A9920500 3AP LED 3-way serial connection box
 A9920501 6AP LED 6-way serial connection box
 A9920515 1,5m extension cable male/female
 A9920530 3m extension cable male/female



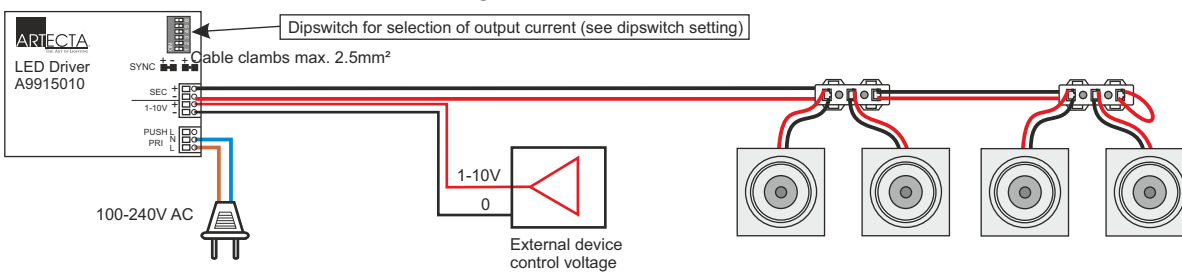
Constant Current connection with dimmer

Connection LED fixtures: serial (min. load: 1W) 350mA max. load: 15W
 500mA max. load: 22W
 700mA max. load: 25W



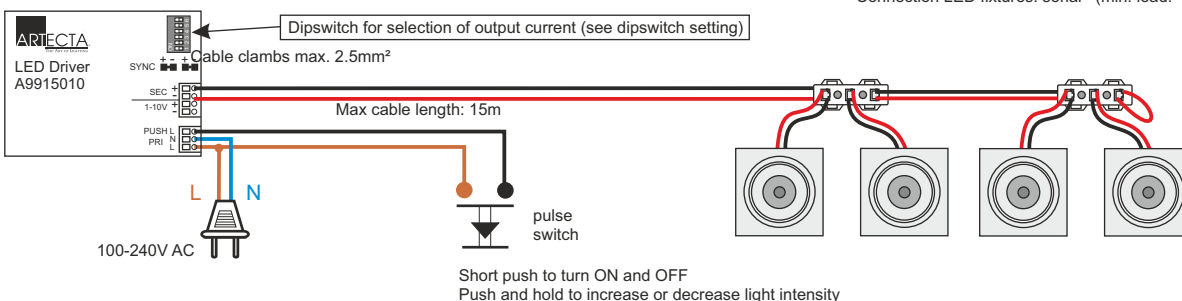
Constant Current connection with control voltage function

Connection LED fixtures: serial (min. load: 1W) 350mA max. load: 15W
 500mA max. load: 22W
 700mA max. load: 25W



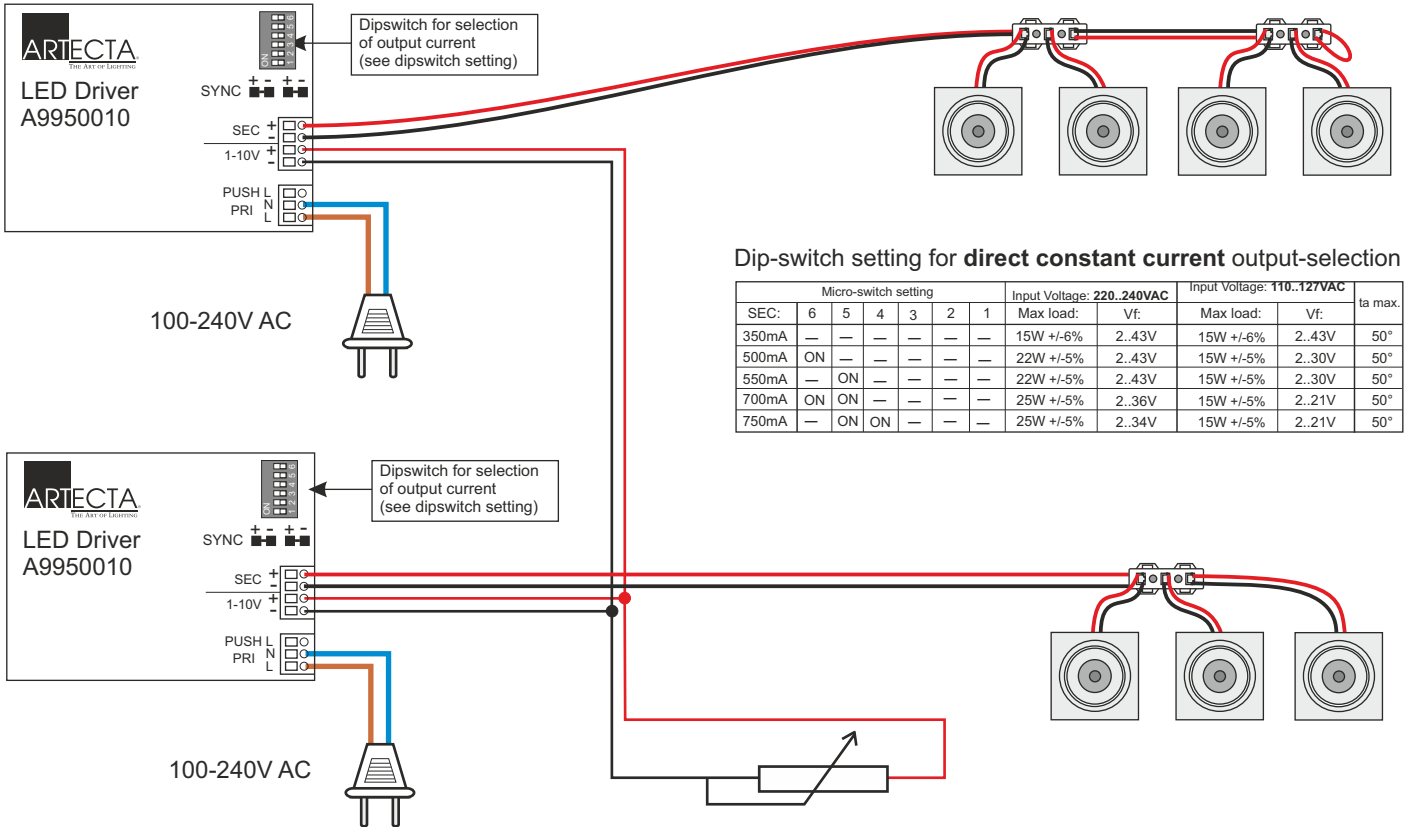
Constant Current connection with push dimming function

Connection LED fixtures: serial (min. load: 1W) 350mA max. load: 15W
 500mA max. load: 22W
 700mA max. load: 25W



Always disconnect the mains of the LED driver before plugging or unplugging the LED's !!
 The LED's will be damaged or destroyed because of the high voltage present on the driver output when there is no load connected. **Connect the main after all Led`s and plugs are connected !**

Connection with potentiometer for max. 10 LED drivers



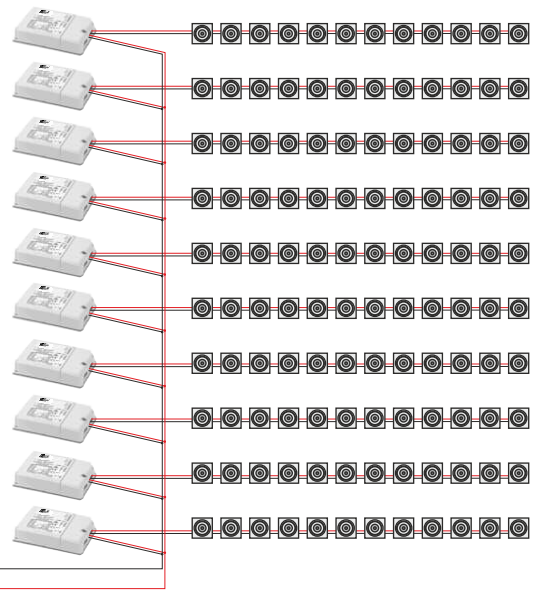
Dip-switch setting for direct constant current output-selection

SEC:	Micro-switch setting						Input Voltage: 220..240VAC		Input Voltage: 110..127VAC		ta max.
	6	5	4	3	2	1	Max load:	Vf:	Max load:	Vf:	
350mA	—	—	—	—	—	—	15W +/-6%	2.43V	15W +/-6%	2.43V	50°
500mA	ON	—	—	—	—	—	22W +/-5%	2.43V	15W +/-5%	2.30V	50°
550mA	—	ON	—	—	—	—	22W +/-5%	2.43V	15W +/-5%	2.30V	50°
700mA	ON	ON	—	—	—	—	25W +/-5%	2.36V	15W +/-5%	2.21V	50°
750mA	—	ON	ON	—	—	—	25W +/-5%	2.34V	15W +/-5%	2.21V	50°

Max. 10 drivers can be controlled by one potentiometer

Max cable length from potentiometer to last driver must be max. 15m !

- 1 LED driver: use 100k logarithmic potentiometer
- 2 LED drivers: use 47-50k logarithmic potentiometer
- 4 LED drivers: use 25k logarithmic potentiometer
- 10 LED drivers: use 10k logarithmic potentiometer



Connection with pulse-switch for max. 10 LED drivers

Dip-switch setting for direct constant current output-selection

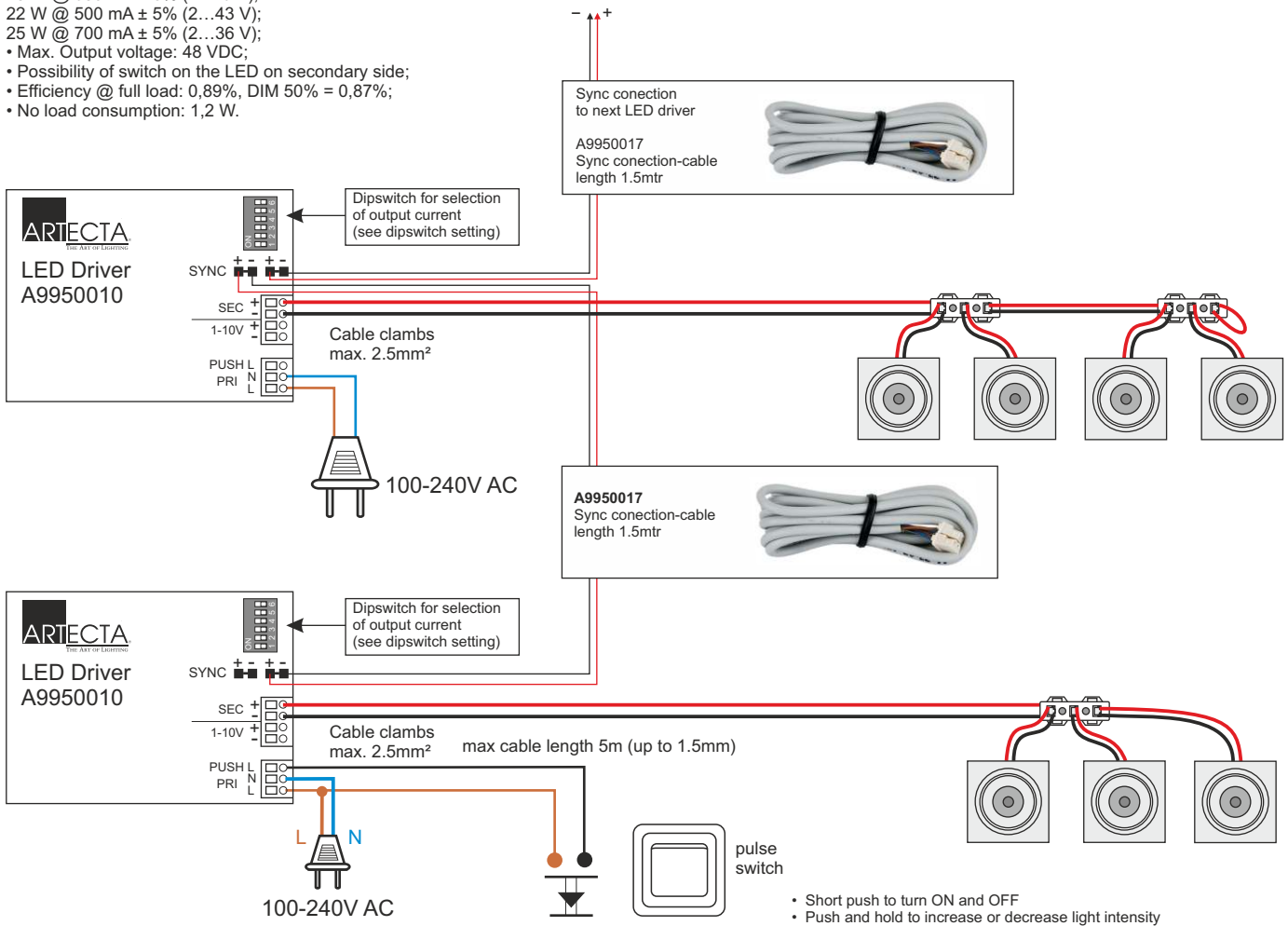
SEC:	Micro-switch setting						Input Voltage: 220..240VAC		Input Voltage: 110..127VAC		ta max.
	6	5	4	3	2	1	Max load:	Vf:	Max load:	Vf:	
350mA	—	—	—	—	—	—	15W +/-6%	2..43V	15W +/-6%	2..43V	50°
500mA	ON	—	—	—	—	—	22W +/-5%	2..43V	15W +/-5%	2..30V	50°
550mA	—	ON	—	—	—	—	22W +/-5%	2..43V	15W +/-5%	2..30V	50°
700mA	ON	ON	—	—	—	—	25W +/-5%	2..36V	15W +/-5%	2..21V	50°
750mA	—	ON	ON	—	—	—	25W +/-5%	2..34V	15W +/-5%	2..21V	50°

Dip-switch setting for direct constant voltage output-selection

Input Voltage: 110..127V		Input Voltage: 220..240V		ta max.	Micro-switch setting					
Max load:		Max load:			6	5	4	3	2	1
9W@10.5V +/-7% (900mA max.)		9W@10.5V +/-7% (900mA max.)		50°	—	ON	ON	ON	—	—
10W@12.5V +/-5% (900mA max.)		10W@12.5V +/-5% (900mA max.)		50°	ON	ON	ON	—	ON	—
15W@24.5V +/-5% (620mA max.)		20W@24.5V +/-5% (900mA max.)		50°	ON	ON	ON	—	—	ON

Max output power and current precision @ 220+240 Vac:

- 15 W @ 350 mA ± 6% (2...43 V);
- 22 W @ 500 mA ± 5% (2...43 V);
- 25 W @ 700 mA ± 5% (2...36 V);
- Max. Output voltage: 48 VDC;
- Possibility of switch on the LED on secondary side;
- Efficiency @ full load: 0,89%, DIM 50% = 0,87%;
- No load consumption: 1,2 W.



Push button (Pulse switch) function

By pressing the push button for less than one second the LEDs turn on or off. By pressing the push button for more than one second the light intensity of the LEDs is dimmed according to the following modalities:

- If the light intensity is not at maximum, by pressing the key there will be an increase of this to maximum or to the corresponding level at the moment the key is released.
- A further pressure on the key inverts the dimming direction to the minimum value or to the corresponding level at the moment the key is released.
- If light intensity is at maximum by pressing the key there will be a decrease to the minimum value or to the corresponding level at the moment the key is released.

Function synchronization during dimming of more than one ballast is possible by means of the sync gates. In this way there is the same light intensity (with the same connected led load) among all the connected ballasts.

This possibility is highly recommended when more than one ballast needs to be controlled by one push button (see the diagram).

N.B.:

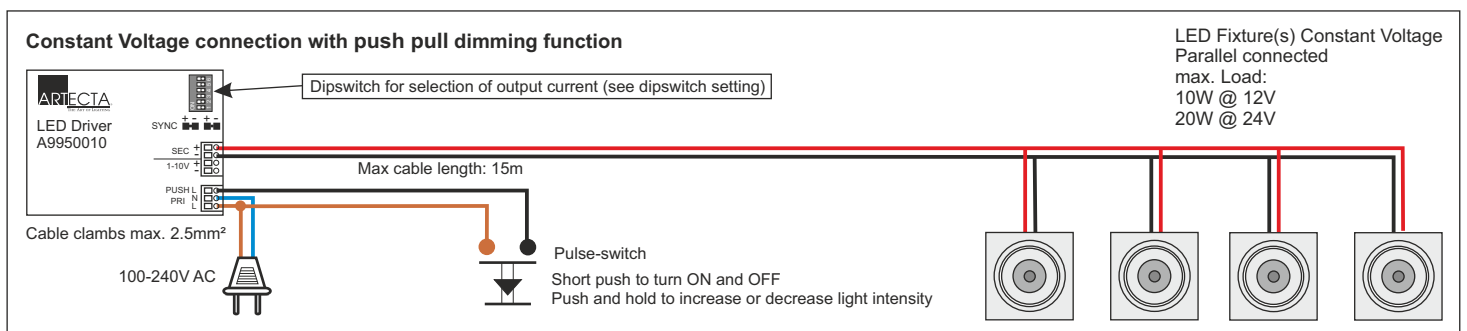
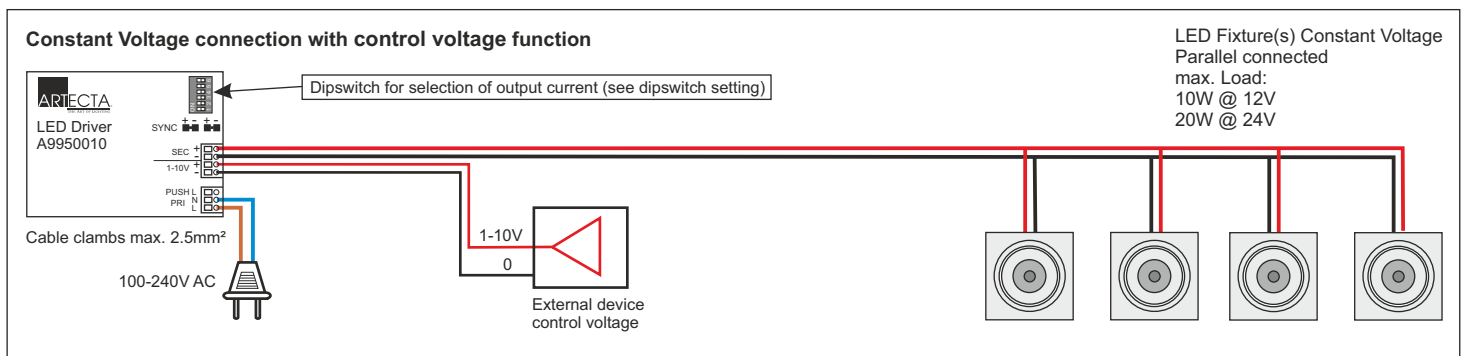
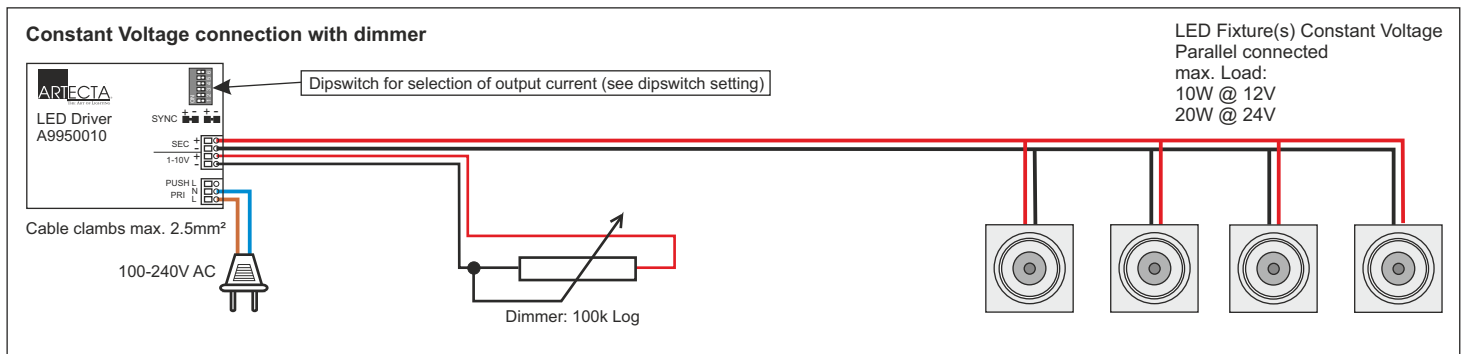
1. The use of the push button inhibits the use of the 1...10 V signal. To return to use of the 1...10 V signal keep the signal less than 0,5 V for at least 2 seconds.
2. To reset the driver, press and hold the push button 3-4 seconds, release the button and press immediately the push button shortly once.

A9950010 LED dimmable driver universal max 25W Multi-power driver with dip-switch for output-selection (constant direct current or constant direct voltage)

Dimmable 1-10V, 100K potentiometer or Pusch button

Dip-switch setting for direct constant voltage output-selection

Input Voltage: 110..127V	Input Voltage: 220..240V	ta max.	Micro-switch setting					
Max load:	Max load:		6	5	4	3	2	1
9W@10.5V +/-7% (900mA max.)	9W@10.5V +/-7% (900mA max.)	50°	—	ON	ON	ON	—	—
10W@12.5V +/-5% (900mA max.)	10W@12.5V +/-5% (900mA max.)	50°	ON	ON	ON	—	ON	—
15W@24.5V +/-5% (620mA max.)	20W@24.5V +/-5% (900mA max.)	50°	ON	ON	ON	—	—	ON



Always disconnect the mains of the LED driver before plugging or unplugging the LED's !!
The LED's will be damaged or destroyed because of the high voltage present on the driver output when there is no load connected. **Connect the main after all Led's and plugs are connected !**