

OSLO-R LED Alu WW

Ordernr: A0230025

Lamptype: Wall lamp
1.05W warm-white LED Vf: 3V
Light direction: down/direct

Housing: solid Aluminium
(Cu 0.1, Mn 0.1, Fe 0.35, Mg 0.62, Zn 0.1, Si 0.4)
Weight: 0.13 Kg
Dimensions fixture: Ø79 x 32 mm
Classification: IP-20 (indoor rated) class III

Operating Power: constant current 350mA
Excluded (external) LED-driver

Optional external LED-drivers:

350mA on dimable LED-drivers:

- A9950001 LSVC3A (Load: min.1W / max: 3W)
- A9950002 LSVC4A (Load: min.1W / max: 4W)
- A9950003 LSVC8A (Load: min.1W / max: 8W)
- A9950004 LSVC18A (Load: min.1W / max: 18W)

Dimmable LED driver:

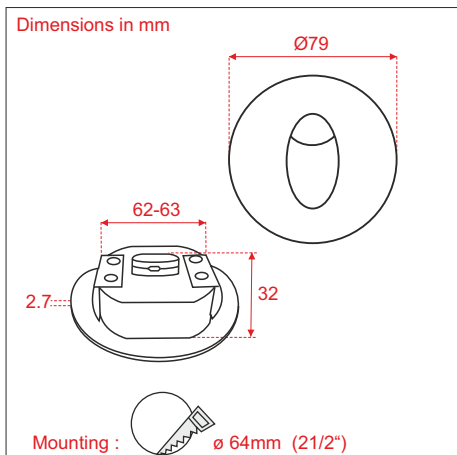
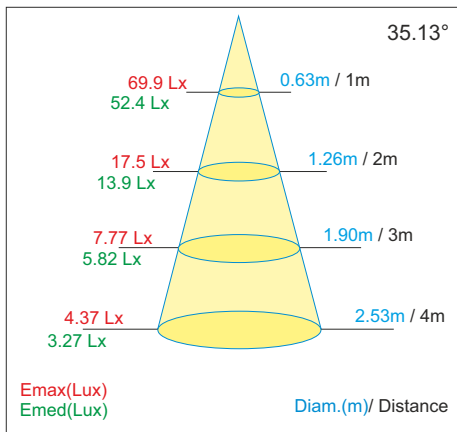
- A9950010 Universal Driver Jolly
(Load: min.1W / max: 15W @ 350mA)

350mA	39.9Lm	3000K	WW	L x H mm Φ: 79 x 32	mm 64	Mounting- depth in mm 32	IP 20	Kg 0.13
-------	--------	-------	----	---------------------------------	----------	--------------------------------	----------	------------

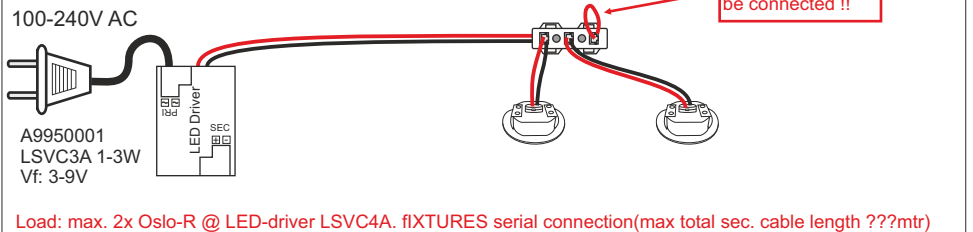


incl. 0.5mtr cable & plug

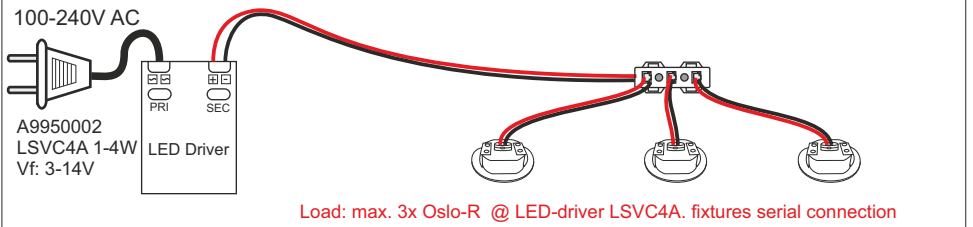
Always disconnect the mains of the LED driver before plugging or unplugging the LED's !!
The LED's will be damaged or destroyed because of the high voltage present on the driver output when there is no load connected.
Connect the main after all Led's and plugs are connected !
Attention !! Load minimal 1 LED fixture



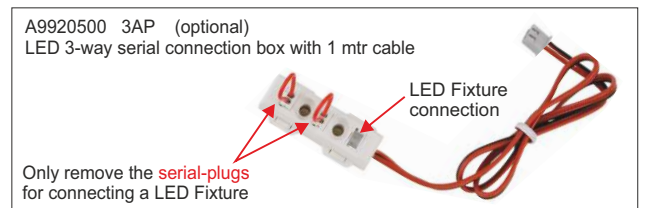
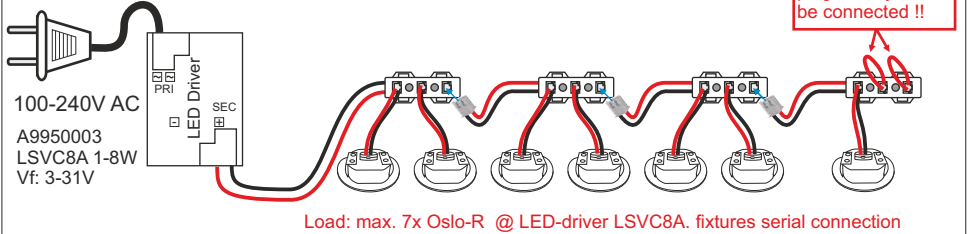
Non Dimmable



Non Dimmable



Non Dimmable

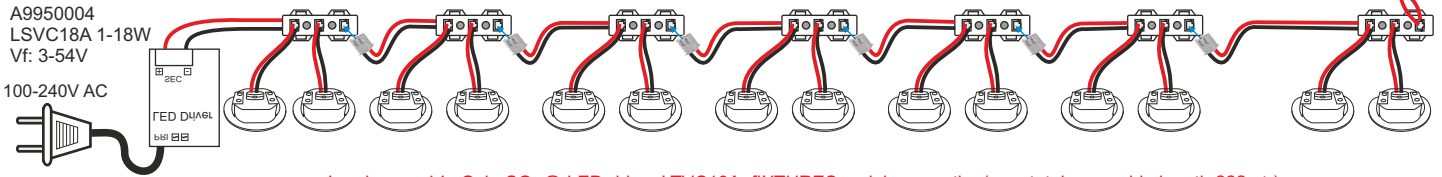


Non Dimmable

by LED-driver LTVC18A
ordernr: A9950004

Always disconnect the mains of the LED driver before plugging or unplugging the LED's !!
The LED's will be damaged or destroyed because of the high voltage present on the driver output when there is no load connected. **Connect the main after all Led's and plugs are connected !**

serial connection plugs always must be connected !!



Load: max. 14x Oslo-SQ @ LED-driver LTVC18A. fiXTURES serial connection(max total sec. cable length ???mtr)

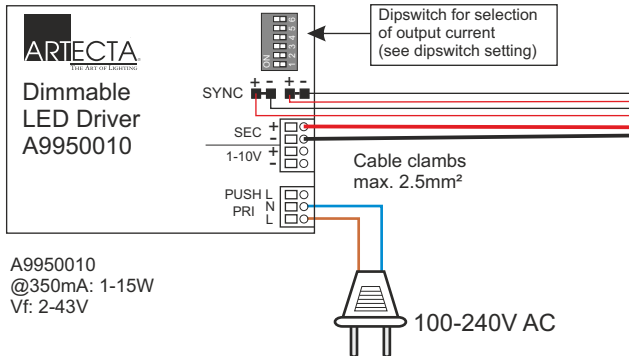
Dimmable

by Universal Driver Jolly
ordernr: A9950010

Connection with pulse-switch for max. 10 LED drivers

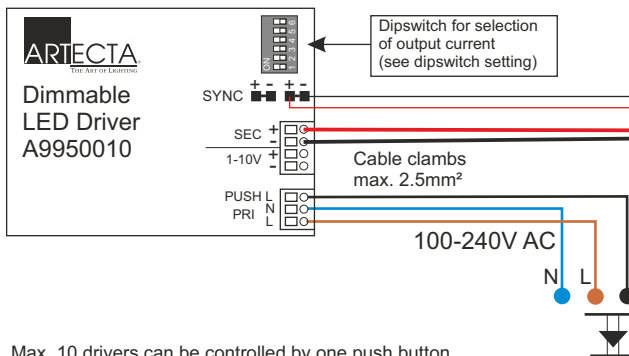
Dipswitch setting for Oslo-R
Max load for Oslo-R is 350mA
Switch 1-6 must be set: OFF

max.Load	SEC	Dip-switch no:					
		1	2	3	4	5	6
15W	350mA						
22W	500mA						ON
25W	700mA					ON	ON
9W	10V			ON	ON	ON	ON
10W	12V		ON		ON	ON	ON
20W	24V	ON			ON	ON	ON



A9950010
@350mA: 1-15W
Vf: 2-43V

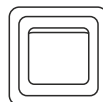
Dipswitch setting for Oslo-R
Max load for Oslo-R is 350mA
Switch 1-6 must be set: OFF



Max. 10 drivers can be controlled by one push button

Max cable length from push button to last driver must be max. 15m !!

Use normally open push button with no incorporated warning light



pulse switch

- Short push to turn ON and OFF
- Push and hold to increase or decrease light intensity

Push button (Pulse switch) function

By pressing the push button for less than one second the LEDs turn on or off. By pressing the push button for more than one second the light intensity of the LEDs is dimmed according to the following modalities:

- If the light intensity is not at maximum, by pressing the key there will be an increase of this to maximum or to the corresponding level at the moment the key is released.
- A further pressure on the key inverts the dimming direction to the minimum value or to the corresponding level at the moment the key is released.
- If light intensity is at maximum by pressing the key there will be a decrease to the minimum value or to the corresponding level at the moment the key is released.

Function synchronization during dimming of more than one ballast is possible by means of the sync gates. In this way there is the same light intensity (with the same connected led load) among all the connected ballasts.

This possibility is highly recommended when more than one ballast needs to be controlled by one push button (see the diagram).

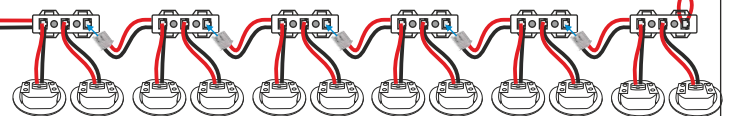
N.B.:

The use of the push button inhibits the use of the 1...10 V signal. To return to use of the 1...10 V signal keep the signal less than 0,5 V for at least 2 seconds.

Max output power and current precision @ 220+240 Vac:

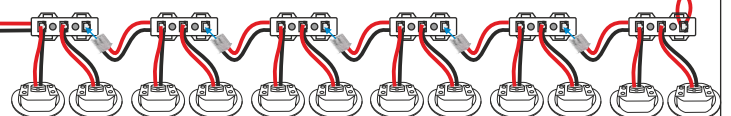
- 15 W @ 350 mA ± 6% (2...43 V);
- Efficiency @ full load: 0,89%, DIM 50% = 0,87%;
- No load consumption: 1,2 W.

serial connection plugs always must be connected !!



Load: max. 12x Oslo-R @ Universal Dimmable LED-drive A9950010
Fixtures serial connection(max total sec. cable length 20mtr)

serial connection plugs always must be connected !!



Load: max. 12x Oslo-R @ Universal Dimmable LED-drive A9950010
Fixtures serial connection(max total sec. cable length 20mtr)