

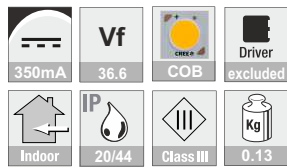
A0137012 Unna-85SQ WW
12.8 Watt COB-LED (Cree CXA1507) 3000K

CRI: 80
Nom. Flux: 779Lm

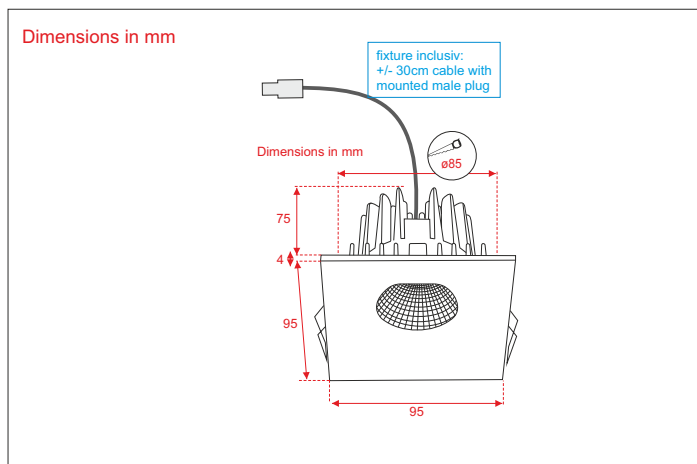
Lamptype: recessed down-light
Reflector: with 35.6° homogeneous light beam
Antiglare protection







Housing: solid Aluminium
Frontring: white powdercoated RAL9003
Weight: 0.13 Kg
Dimensions fixture: 95 x 75 mm
Fixture Classification: IP-20 Class III
Front Classification: IP-44

Operating Power: constant current 350mA
Excluded (external) LED-driver
Advised LED-drivers: 350mA (dimnable or non dimnable)



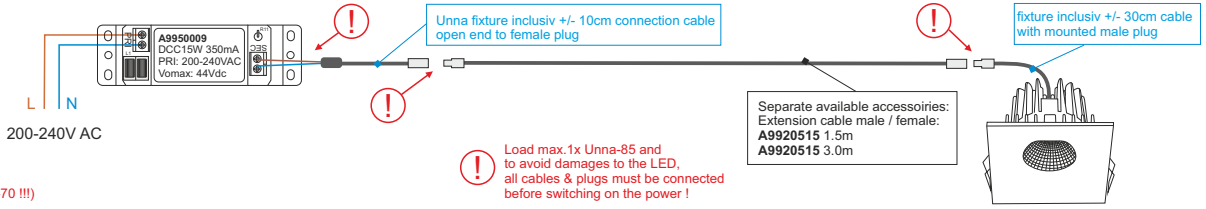
Always disconnect the mains of the LED driver before plugging or unplugging the LED's !!
The LED's will be damaged or destroyed because of the high voltage present on the driver output when there is no load connected. **Connect the main after all Led's and plugs are connected !**



Height	Unna-85-SQ WW 35.6°	Diam.	Nadir.E
0.5m		0.32m	1496 Lx
1.0m		0.64m	374 Lx
1.5m		0.96m	234 Lx
2.0m		1.28m	93 Lx
2.5m		1.60m	68 Lx
3.0m		1.92m	42 Lx

A Non dimmable Driver

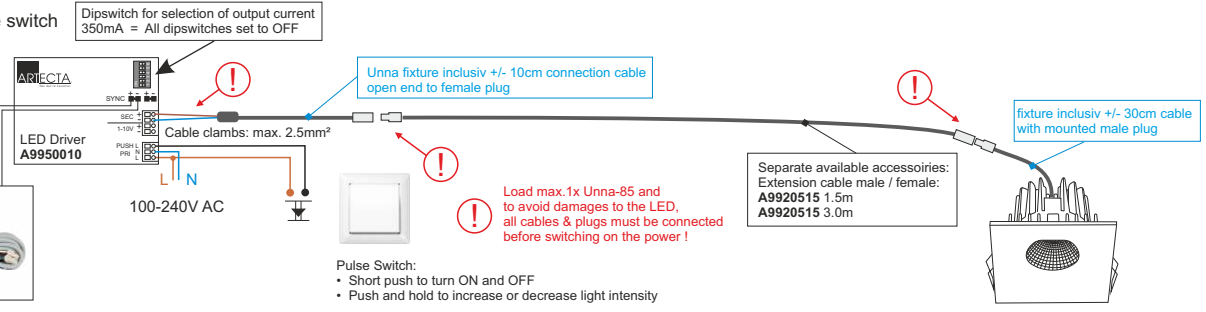
A9950009
Constant current LED-Driver
@230VAC 350mA 15W / Vf: 2-43
@110VAC 350mA 10W (not suitable for 1x Unna-70 !!!)



B Dimmable by A9950010 & pulse switch

A9950010
Constant current
350mA 15W / Vf: 2-43

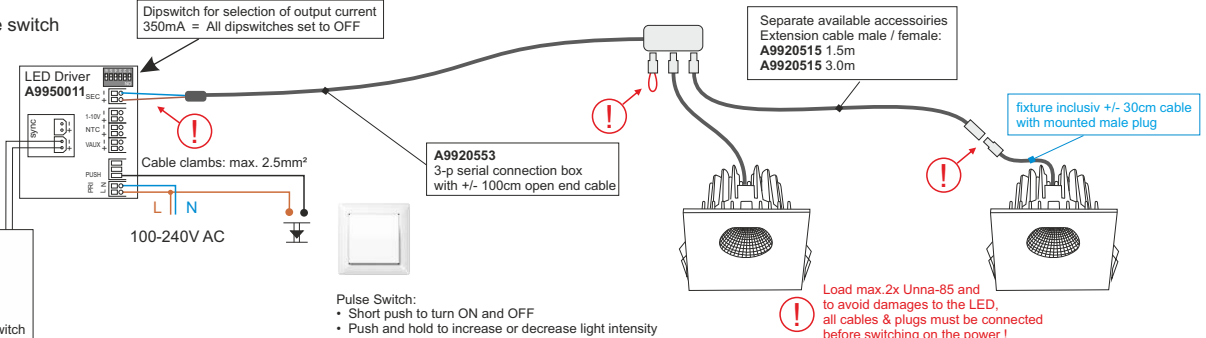
A9950017
Synchronise connection-cable to connect the next driver
Max 10 drivers can be connected and controlled by one Pulse Switch



C Dimmable by A9950011 & pulse switch

A9950011
350mA 25W
Constant current / Vf: 2-74

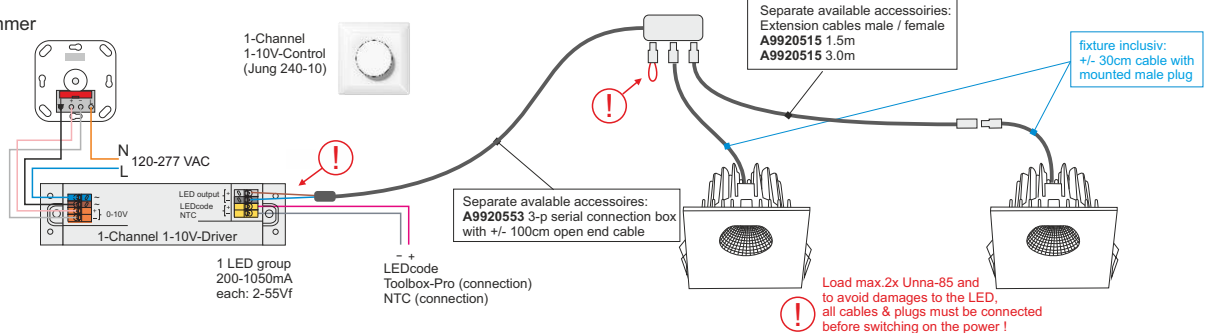
A9950017
Sync connection-cable to next driver
Max 10 drivers can be controlled by one switch



D 1-10V Dimmable by Rotary Dimmer

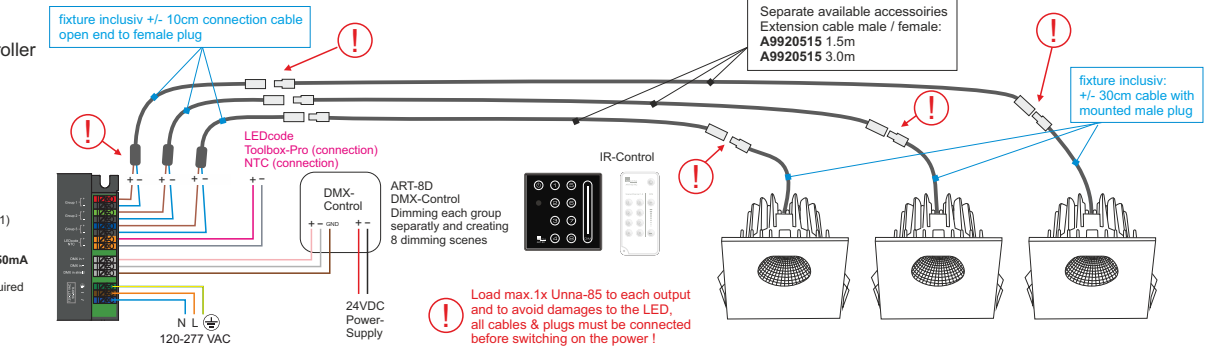
A9950360 EldoLED SoloDrive-30W SL0361 A
Dimmable 1-10V
LED constant current driver max. 30W

Constant Current output is standard set to 350mA
(For all other settings, the toolbox A9915056 is required)



E Dimmable with EldoLED 3-channel Driver and DMX-controller

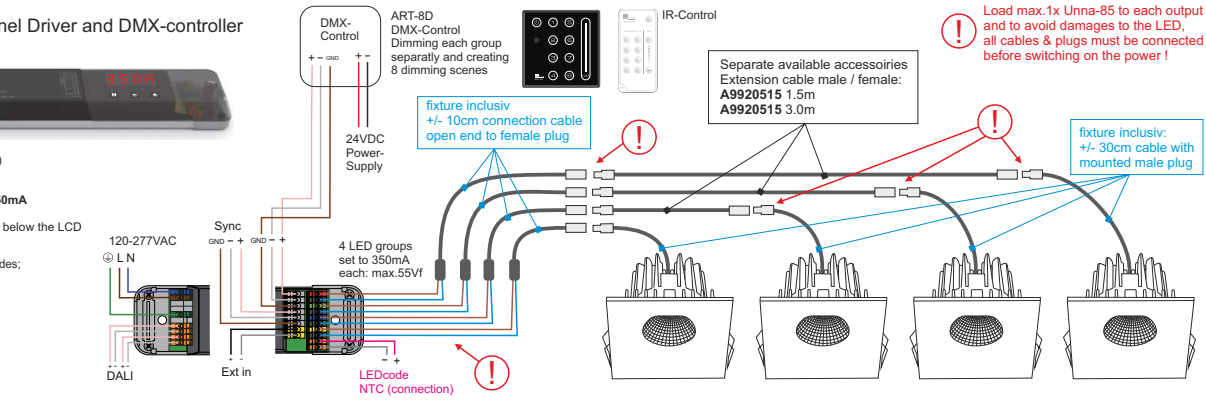
A9950044 EldoLED PowerDrive-50W (PWR0562 A1)
3 separately Dimmable LED outputs
controllable by 3 DMX-Addresses
The constant current output is standard set to 350mA
For other settings, the toolbox Pro A9915056 is required



F Dimmable with EldoLED 4-channel Driver and DMX-controller

A9950045 EldoLED PowerDrive-100W (PWR16 A1)
4 separately Dimmable LED outputs
controllable by 4 DMX- or DALI-Addresses or 1-10V
The constant current output is standard set to 350mA
Other settings, can be changed by 3 buttons (M - +) below the LCD

- The PowerDrive-100 can be set to different control-modes;
- 1 DMX-Channel: Fader-1 controls all 4 LEDs
 - 2 DMX-Channels: Fader-1 controls LED 1&2, Fader-2 controls LED 2&3
 - 4 DMX-Channels: Fader-1 controls LED-1, Fader-2 controls LED-2, Fader-3 controls LED-3, Fader-4 controls LED-4



A9950048 EldoLED PowerDrive-600W PW6060R
LED constant current driver max.600W

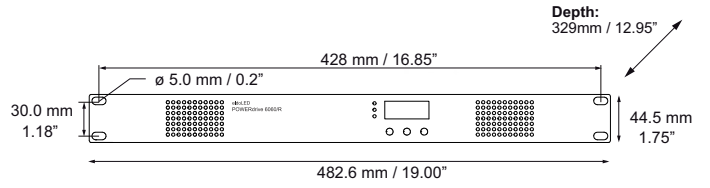
- Dimmable by 0-10V,
- Dimmable by DALI (4x DALI group)
- Dimmable by DMX & RDM (32x DMX channel)

• Stand-alone with 9 default shows, up to 20 user-defined shows, uploadable with TOOLbox and TOOLbox software

Constant Current output is standart set to 350mA
Connecting the Unna-85SQ, it must be set to 350mA

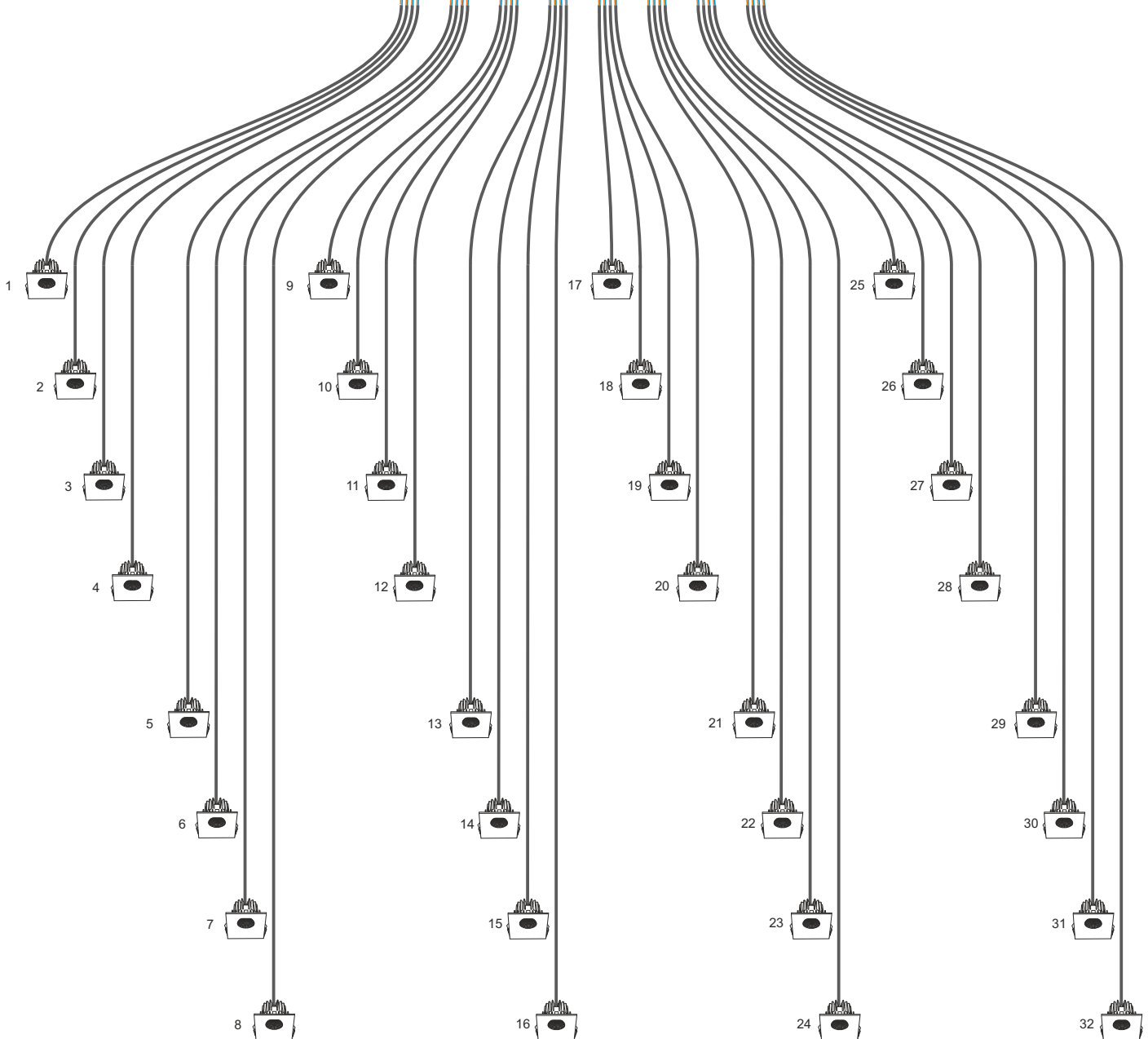
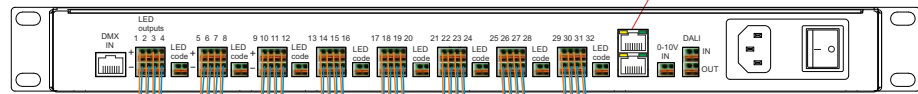
Universal input Voltage: 120V~277V 50/60Hz
Led outputs: 32x 200mA-1050mA
Power factor: > 0.9
min/max forward Voltage: 32x 2-48VDC

- Full dimming control: 100% to 0%,
- Choice of linear or logarithmic dimming curve
- Maximum (rated) power available over wide LED-voltage (30-55V) range
- NTC interface per 4 LED-outputs for robust thermal management
- Dimensions L x W x H (mm):482.6(19")x324x44.5(1HE)
- Weight: 6.1 Kg
- Worldwide Certifications:
 - CE,
 - IEC 61347, IEC 62384, EN 55015,
 - EN 55022, IEC 61000-3-2, IEC 61547
 - UL: pending



DMX RDM DALI 0-10V
CE LEDcode SHOWmaster

DMX 2x RJ-45 (CAD-5)
orange/white = DMX+
orange = DMX-
Brown/white = GND (shield)



Each connector has 4 outputchannels. Load max. 1x Unna-85 WW to one output-channel and total max. 32 Unna-85 WW to one driver.
To avoid damages to the LED, all cables & plugs must be connected before switching on the power !