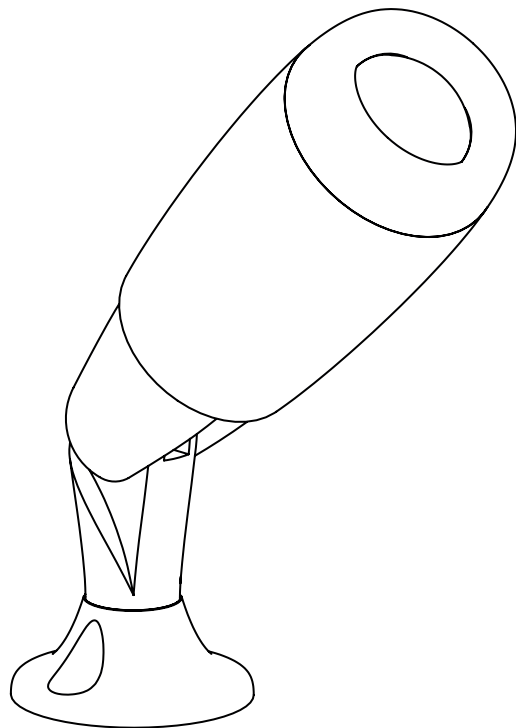




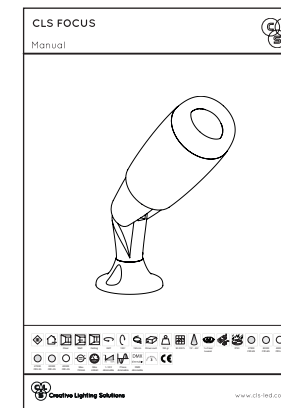
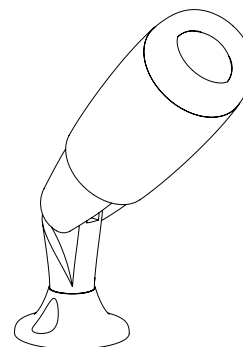
Index	2	Focus extension pipe	5
Safety information	2	Wiring diagram MTD44 driver	7
Content	2	Wiring diagram LDC-41 dimmer	8
Technical	3	Wiring diagram MTD drivers	9
Specifications	3	Accessories	10
Installation	4	List of symbols	11

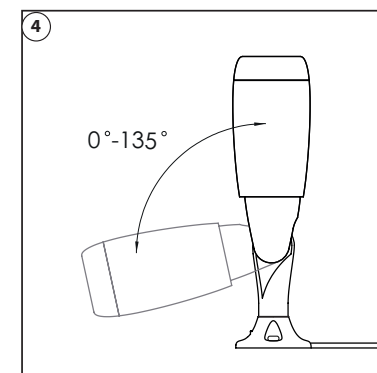
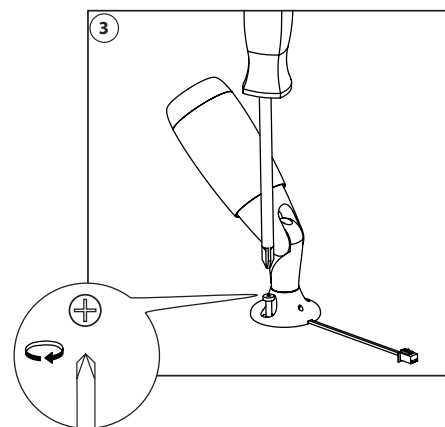
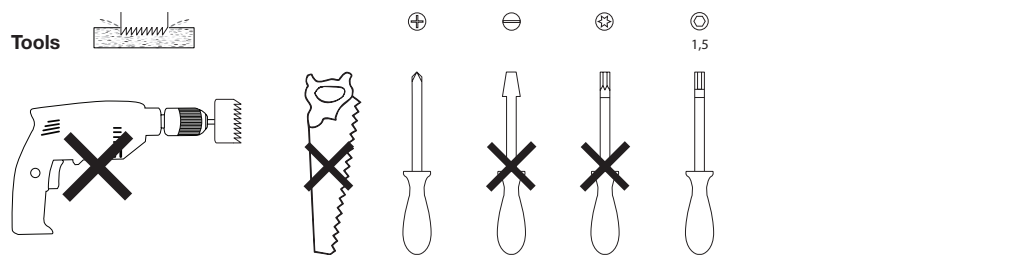
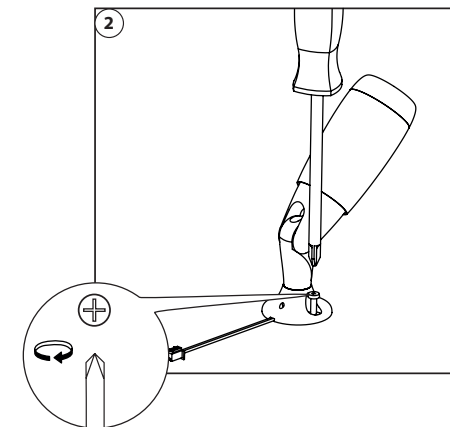
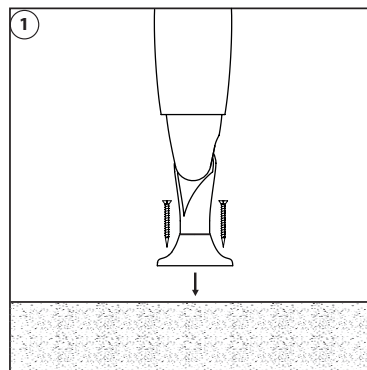
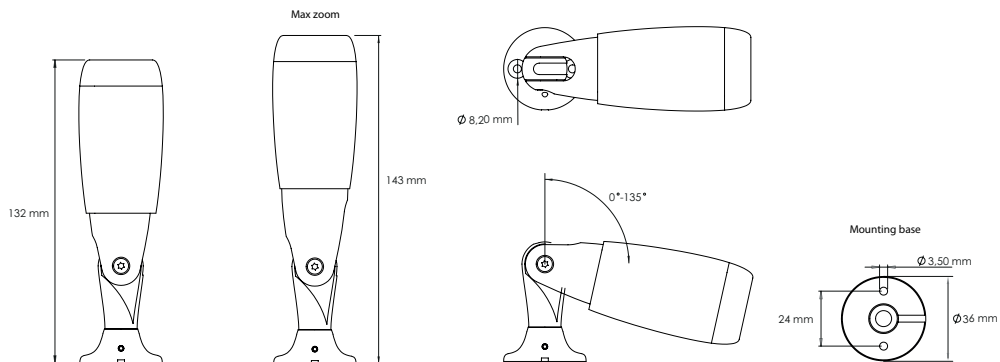


SAFETY INFORMATION

<p>Always switch off mains power of the driver before connecting or maintaining any fixtures!</p>	<p>Make sure all connectors are connected properly</p>	<p>Use a source of AC power that complies to local electrical codes</p>	<p>Block access below the work area when maintaining the unit</p>	<p>Do not stare into the LED</p>	<p>Ambiance Max. 40°</p>	<p>Qualified technician</p>
	<p>Don't modify or install genuine parts on this product</p>	<p>Don't install in a flammable or explosive area</p>	<p>Warning! Some surfaces can be hot</p>			

CONTENT

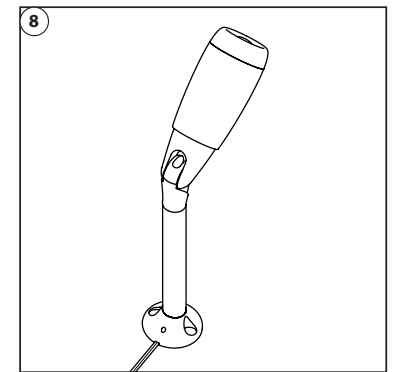
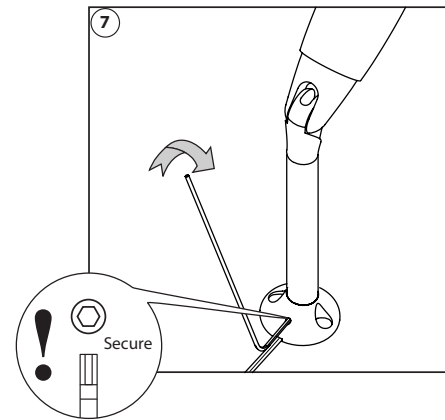
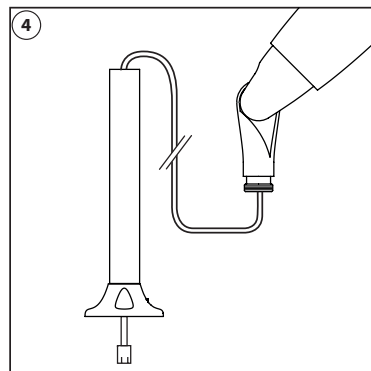
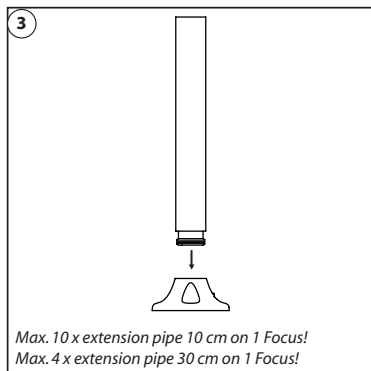
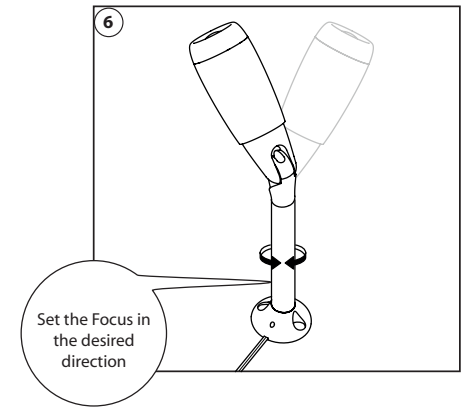
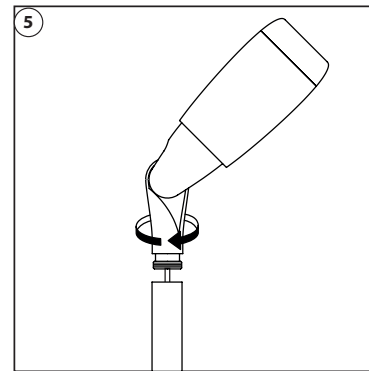
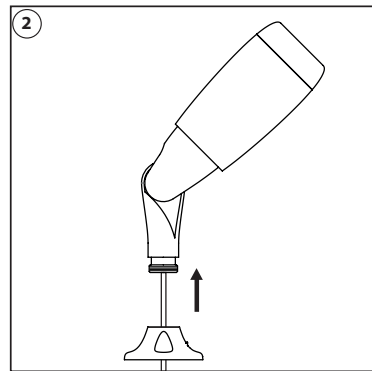
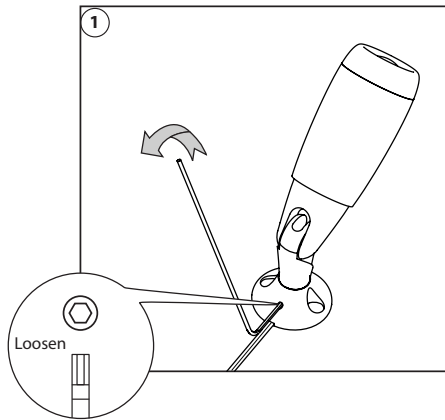




SPECIFICATIONS

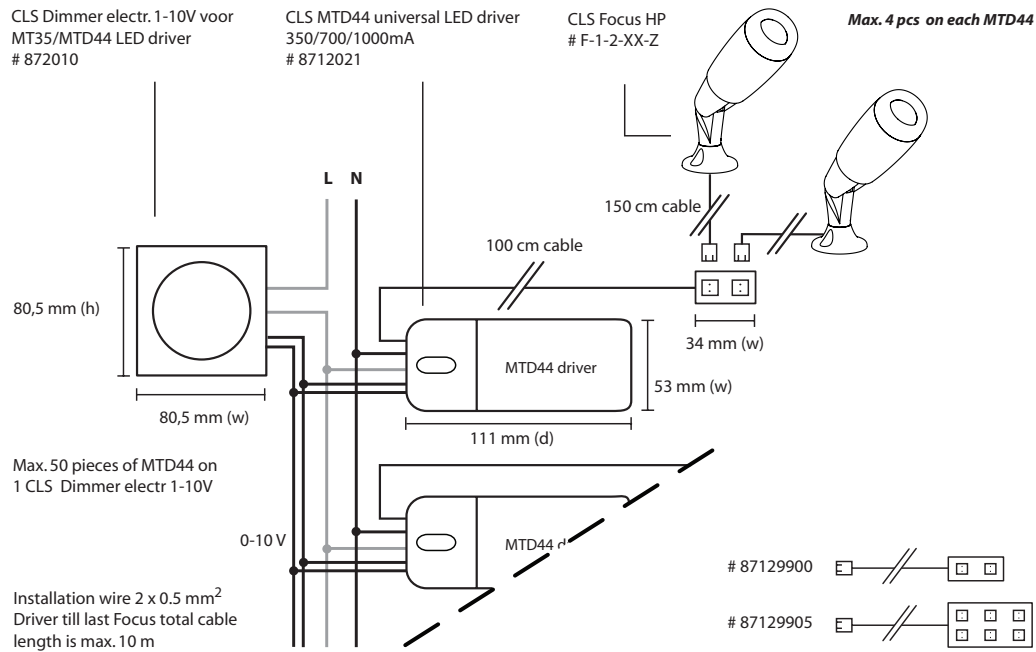
LED: 1 x Luxeon / Cree
 Available colours: CRI 85: 2700K , 3000K & 4000K
 CRI 95: 2700K, 3000K & 4000K
 Beam angle: 15° to 65°
 Power supply: Max. 700mA
 Power consumption: Max. 6 Watt
 Housing: Black Aluminum brushed
 Weight: 190 gr
 IP value: IP20
 Cable length: 150 centimeter
 Measurements: ø 36 x 132 mm (øxh)
 Ambient temperature: -10° C till +40° C

EXTENSION PIPE



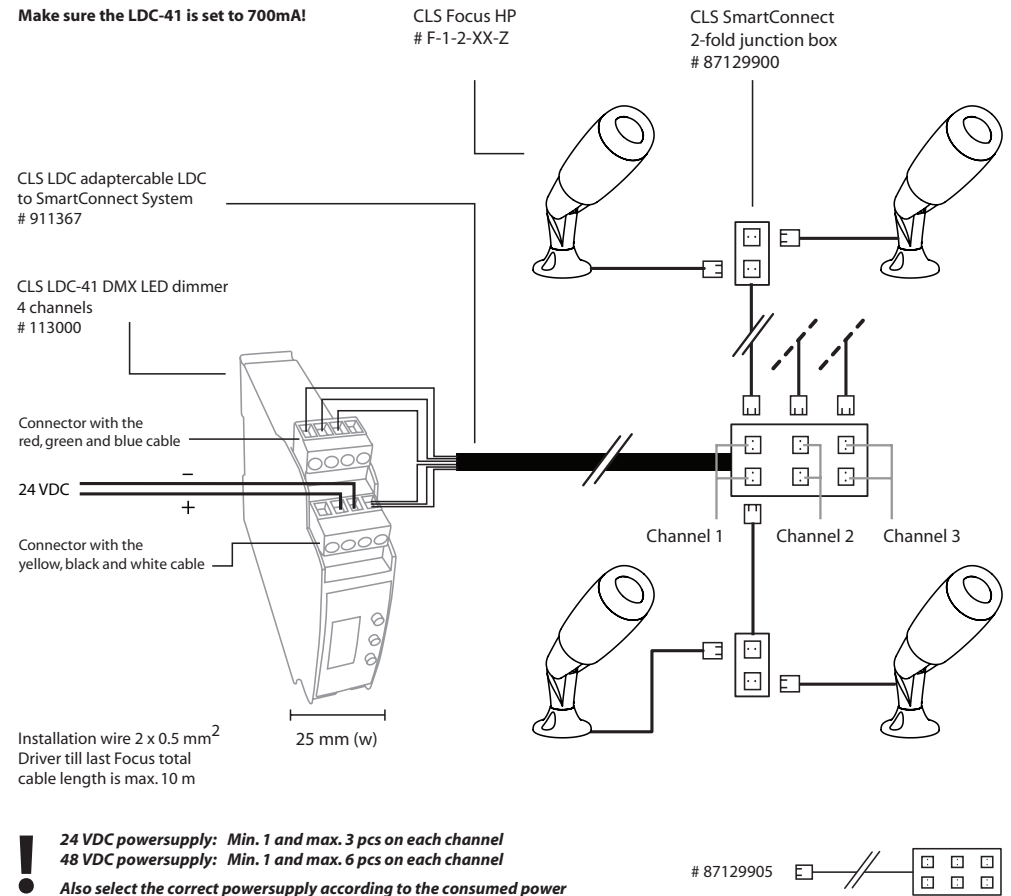
WIRING DIAGRAM MTD44 DRIVER

! Always switch off mains power of the driver before connecting any fixtures!

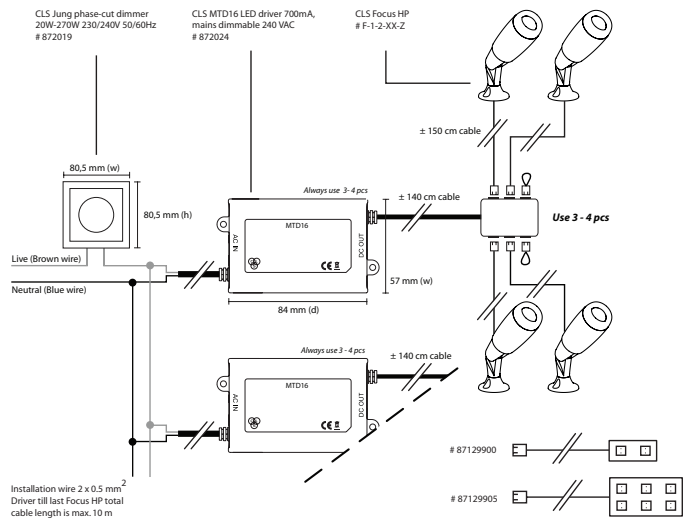


WIRING DIAGRAM LDC-41 DIMMER

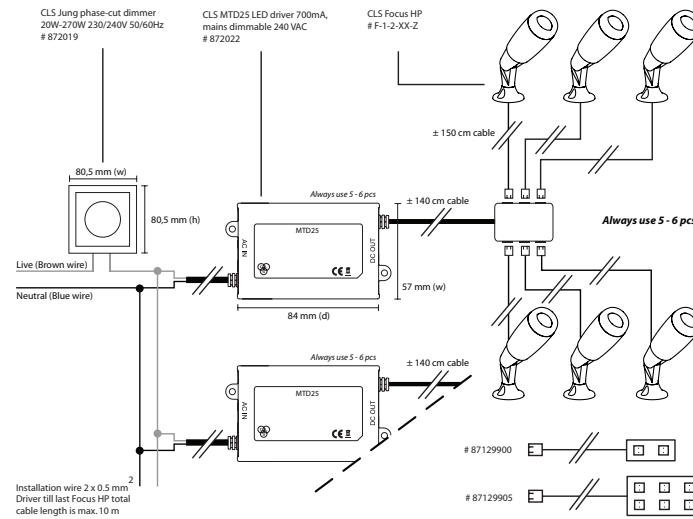
! Always switch off mains power of the driver before connecting any fixtures!







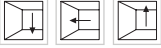





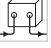












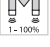



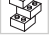





! Always switch off mains power of the driver before connecting any fixtures!



ACCESSORIES	
113000	CL S LDC-41 DMX LED dimmer 4 channels 0.35-1A per channel
87129900	CL S SmartConnect 2-fold junction box & shortcircuit connect.
87129905	CL S SmartConnect 6-fold junctionbox & shortcircuit connect.
87129915	CL S SmartConnect short circuit plugs (10pcs)
87129959	CL S SmartConnect extensioncable betw. 2 junctionboxes 5mtr
872010	CL S Dimmer electr. 1-10V for MTD44 LED driver
872018	CL S MTD43 LED driver 4x700mA/8x350mA 12VA mains dimmable
872019	CL S Dimmer Jung phase cut max. 270VA 230-240VAC
872021	CL S MTD44 universal LED driver 350/700/1000mA
872022	CL S MTD25 LED driver 700mA 9-12 LEDs mains dim.
872024	CL S MTD16 LED driver 700mA 6-8 LEDs mains dim.
911367	CL S LDC adaptercable LDC to SmartConnect system
Y106000	CL S Focus extension pipe 10 cm
Y106002	CL S Focus extension pipe 30 cm
Y106010	CL S Focus Snoot



LIST OF SYMBOLS

	Protection class One, two or three		IP value Ingress Protection classifies the degrees of protection provided against the intrusion of the product
	Application area Indoor or outdoor		Colour Available colours; Amber, blue, red or green
	Application area Floor, wall or ceiling		White colour temperature In different Kelvin values; Cold white, neutral white, warm white or extra warm white
	Swivel Fixture is horizontally rotatable, indicated in degrees		Colour changing RGB, RGB-W, RGB-A or AWB
	Swivel Fixture is vertically rotatable, indicated in degrees		Dynamic White Stepless control of white light
	Multiple connection Daisychain connectivity		Curve Minimal bending curve in centimeters
	Installation depth In centimeters		Cutting length Indicated by the cutting marks
	Installation size In centimeters		LED pitch Pitch between the LEDs in millimeters
	Cable length Maximum cable attached to the fixture in centimeters		Power supply In VDC, VAC or milliAmpere
	Driver Inclusive or exclusive		Power consumption In VA or Watt
	Weight In grams/kilograms		Dimmable 1-10 Volt, Phase, individual or DMX dimmable
	Pressure Maximum pressure on the fixture in kg/cm²		Magno dimming Accurate dimming from 100 - 1% by using a magnet
	Lifespan Of the light source in hours		DMX input Fixture works on DMX512 protocol
	Lenses Available lenses, indicated in degrees		Combined product Compose your own fixture
	Warranty 3 years warranty on the product		Conformité Européenne CE marking for free marketability of industrial goods within the EU
	LEDs Kind of LED used in the fixture		Energy label
	Plug & play Easy connection using the SmartConnect system		

2015 CLS-LED BV. All rights reserved. Information subject to change without notice, CLS-LED BV and all affiliated companies disclaim liability for injury, damage direct or indirect loss, consequential or economic loss or any other loss occasioned by the use of, inability to use or reliance on the information contained in this manual. No part of this manual may be reproduced, in any form or by any means, without permission in writing from CLS-LED BV. Other legal information can be found in our General conditions, found on the back of your CLS-LED BV invoice, inside the CLS catalogue or on our website www.cls-led.com/voorwaarden.pdf