

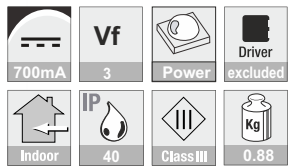
ORLY-25R WW

Ordernr: A0139820

Lamptype: recessed down-light
 Beam Angle 25°
 2.1W warm-white LED
 Equivalent Luminous Flux: Φ_{eff} 97.32 Lm
 Efficiency: $Eff=46.35$ Lm/W
 I_{max} : 1190cd (C=0.0°, G=0.0°)
 Light direction: direct with frost glass

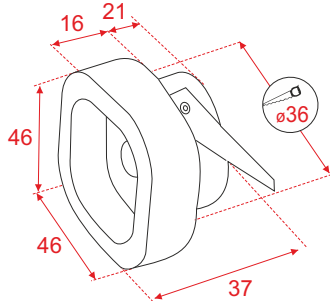
Housing: solid Aluminium white powdercoated RAL9003
 Weight: 0.08 Kg
 Dimensions fixture: 46 x 46 x 37 mm
 Classification: IP-40 Class III
 Operating Power: constant current 700mA
 Typical forward Voltage V_f : 3V
 Excluded (external) LED-driver

Advised Dimmable or Non dimmable LED-drivers: 700mA (see next pages)



Always disconnect the mains of the LED driver before plugging or unplugging the LED's !!
 The LED's will be damaged or destroyed because of the high voltage present on the driver output when there is no load connected. **Connect the main after all Led's and plugs are connected !**

Dimensions in mm

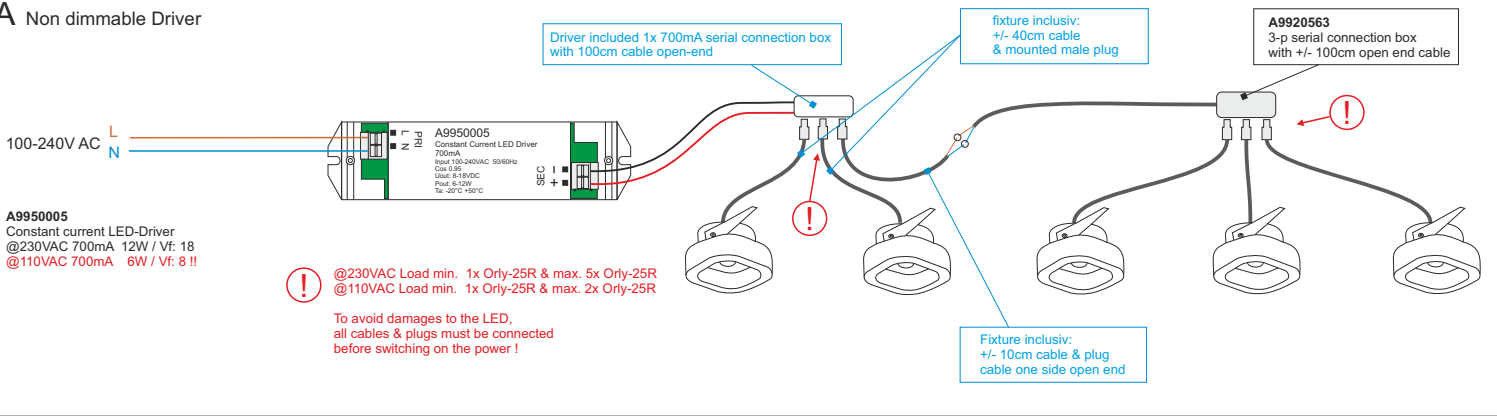


Height	Orly-25	12.9°	Øm	Avg.	Nadir.E
0.5m			0.11m	3493 Lx	4760 Lx
1.0m			0.22m	873 Lx	1190 Lx
1.5m			0.34m	388 Lx	529 Lx
2.0m			0.45m	218 Lx	298 Lx
2.5m			0.57m	158 Lx	215 Lx
3.0m			0.68m	97 Lx	132 Lx

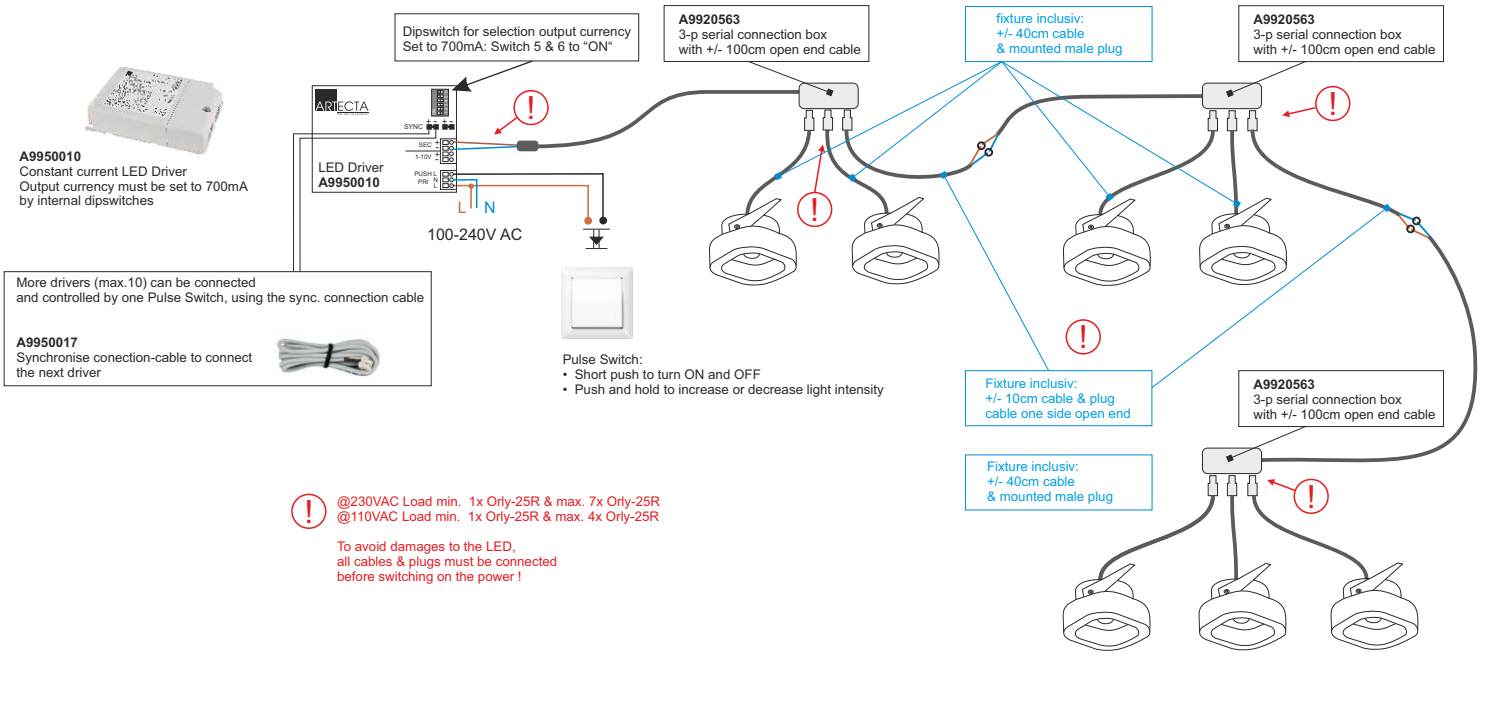


Recessed downlights

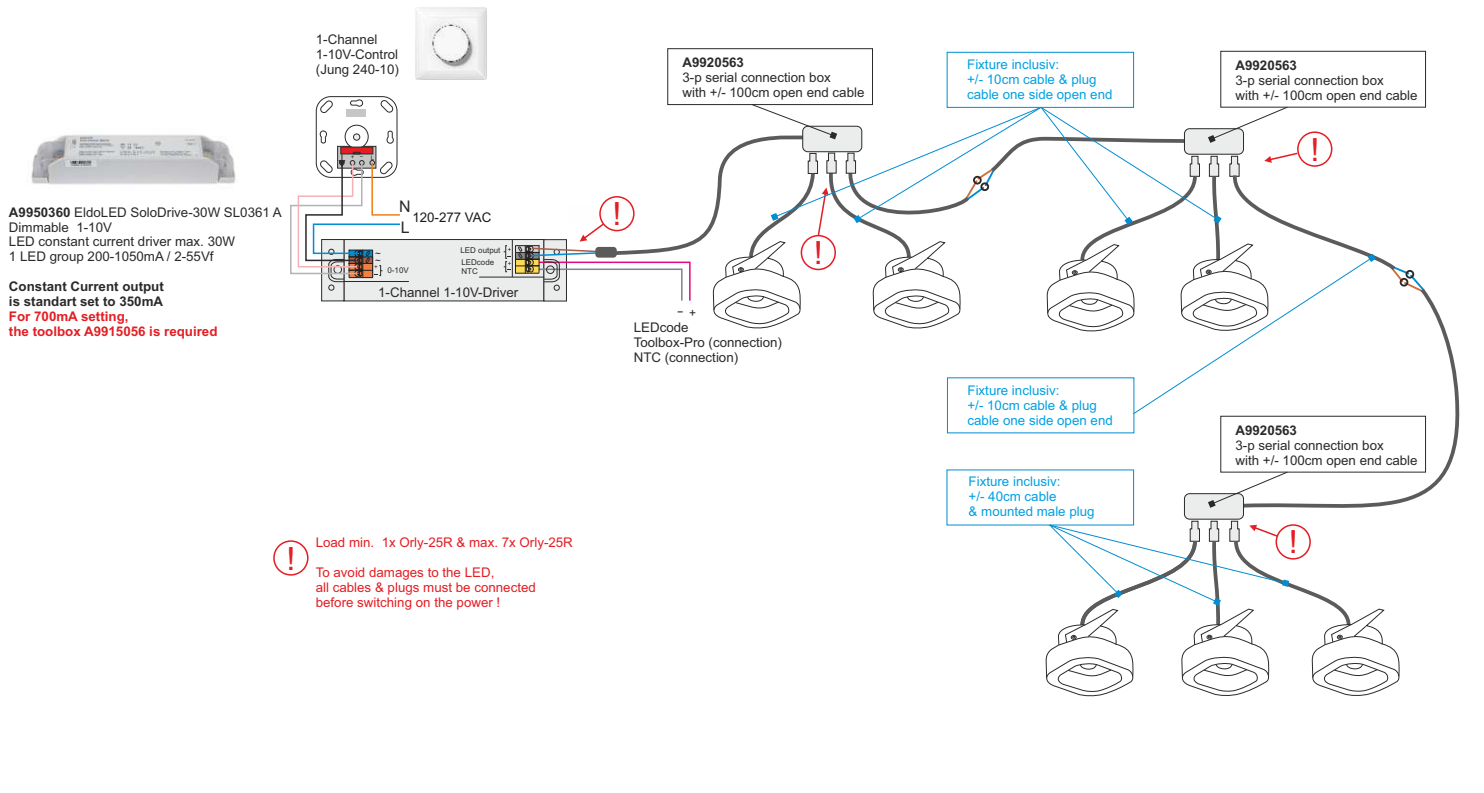
A Non dimmable Driver



B Dimmable by A9950010 & pulse switch



D 1-10V Dimmable by Rotary Dimmer

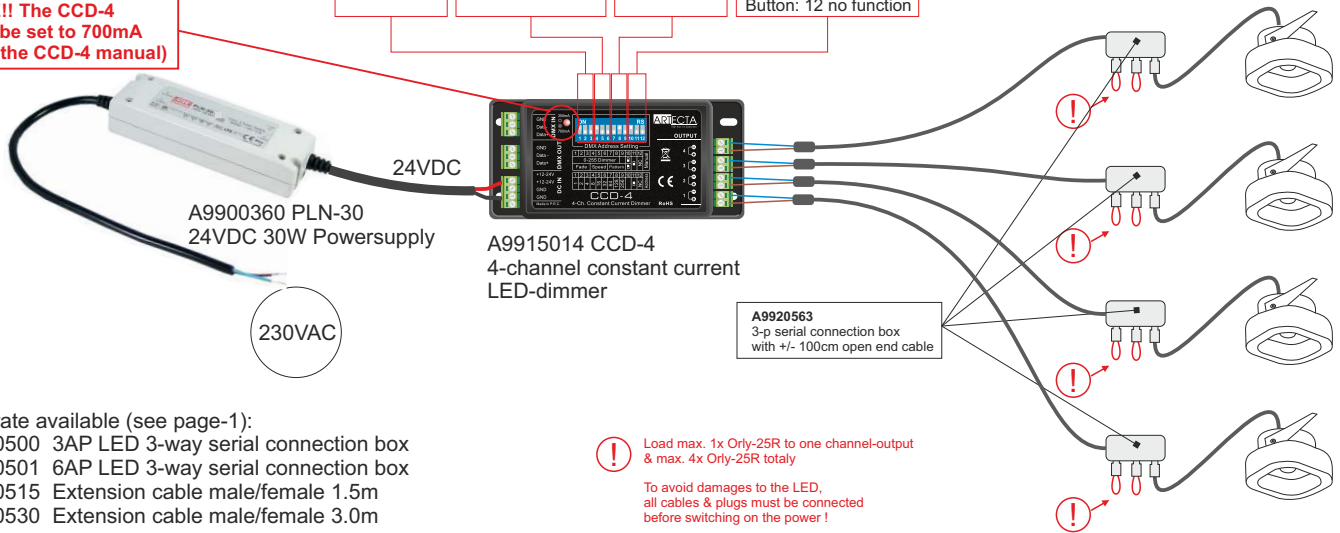


G-1 Stand-alone Mode with A9915014 CCD-4
4-channel constant current PWM-Dimmer

- in stand-alone mode, using the built-in (fade)-Patterns

NOTE!! The CCD-4 must be set to 700mA (read the CCD-4 manual)

- Button: 1,2,3 Set fade time
- Button: 4,5,6 Set running speed
- Button: 7,8,9 Set Patterns
- Button: 10 set to ON
Button: 11 set to OFF
Button: 12 no function



- Separate available (see page-1):
- A9920500 3AP LED 3-way serial connection box
 - A9920501 6AP LED 3-way serial connection box
 - A9920515 Extension cable male/female 1.5m
 - A9920530 Extension cable male/female 3.0m

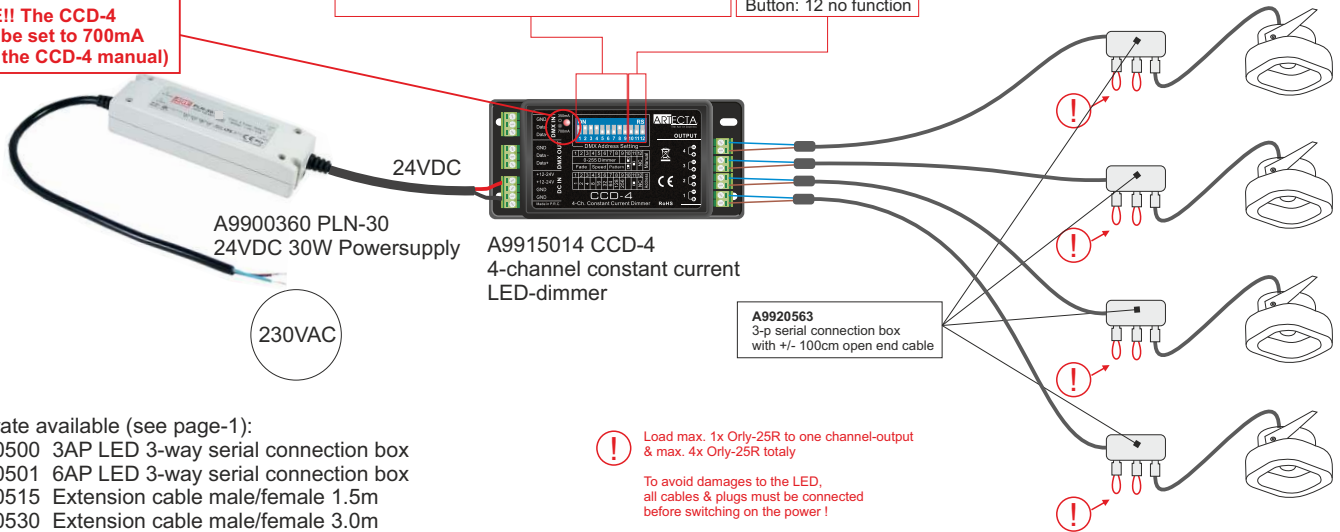
! Load max. 1x Orly-25R to one channel-output & max. 4x Orly-25R totally
To avoid damages to the LED, all cables & plugs must be connected before switching on the power!

G-2 Stand-alone Mode with A9915014 CCD-4
4-channel constant current PWM-Dimmer

- in stand-alone mode, using the dimmer function

NOTE!! The CCD-4 must be set to 700mA (read the CCD-4 manual)

- Button: 1, 2, 3, 4, 5, 6, 7, 8, 9 Set dimming by set more buttons to ON
- Button: 10 set to OFF
Button: 11 set to OFF
Button: 12 no function



- Separate available (see page-1):
- A9920500 3AP LED 3-way serial connection box
 - A9920501 6AP LED 3-way serial connection box
 - A9920515 Extension cable male/female 1.5m
 - A9920530 Extension cable male/female 3.0m

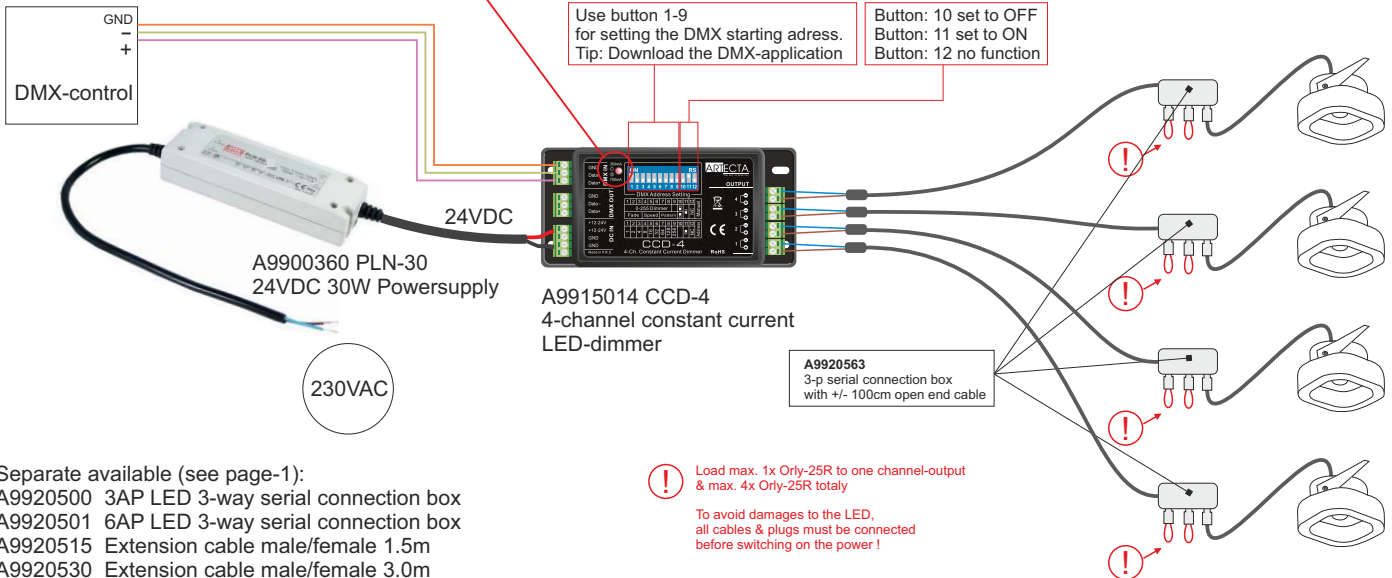
! Load max. 1x Orly-25R to one channel-output & max. 4x Orly-25R totally
To avoid damages to the LED, all cables & plugs must be connected before switching on the power!

G-2 Stand-alone Mode with A9915014 CCD-4
4-channel constant current PWM-Dimmer

- DMX-controlled by an external controller

NOTE!! The CCD-4 must be set to 700mA (read the CCD-4 manual)

- Use button 1-9 for setting the DMX starting address. Tip: Download the DMX-application
- Button: 10 set to OFF
Button: 11 set to ON
Button: 12 no function



- Separate available (see page-1):
- A9920500 3AP LED 3-way serial connection box
 - A9920501 6AP LED 3-way serial connection box
 - A9920515 Extension cable male/female 1.5m
 - A9920530 Extension cable male/female 3.0m

! Load max. 1x Orly-25R to one channel-output & max. 4x Orly-25R totally
To avoid damages to the LED, all cables & plugs must be connected before switching on the power!