

MEAN WELL IP67 LED 60W single output switching Power Supply

Ordernr: A9900381

Housing: Aluminium
Dimensions in mm: 171x 61.5 x 36.8
Weight: 0.73 Kg

Primair: 115-290V AC
Sec: 24VDC
Rated Current:2.5A
Rated Power: 60W
Ripple&Noise(max): 150mVp-p
Setup, rase time: 1500mS/115VAC at full load, 1000mS, 80mS/230VAC at full load
Holdup time: 16mS at full load
Power Factor(typ.):

PF>0.98/115VAC, PF>0.95/230VAC, PF>0.92/277VAC at full load
(Please refer to "Power Factor Characteristic" curve)

Total harmonic distortion:

THD< 20% when output loading \geq 60% at 115VAC/230VAC
input and output loading \geq 75%at 277VAC input

Efficiency (typ.): 89.5%

AC Current: 0.64A/115VAC 0.32A/230VAC 0.3A/277VAC

Inrush current (Typ.): Cold start 55A twidth=210 μ smeasured at 50% Ipeak) at 230VAC

Working Temperature: -40° ~ +70°C

Working Humidity: 20-95% RH non condensing

Short circuit Protection: Hiccup mode, recovers automatically after fault condition is removed

Over Voltage Protection: 28-35V Protection type : Shut down o/p voltage, re-power on to recover

Safety Standarts: UL8750, CSA C22.2 No. 250.0-08 (except for 48V, 54V), EN61347-1, EN61347-2-13 independent, IP65 or IP67, J61347-1, J61347-2-13 approved ; design refer to UL60950-1, TUV EN60950-1, EN60335-1

Isolation Resistance: I/P-O/P, I/P-FG, O/P-FG:100M Ohms / 500VDC / 25°C / 70% RH

EMC Emission: Compliance to EN55015, EN61000-3-2 Class C (\geq 60% load) ; EN61000-3-3

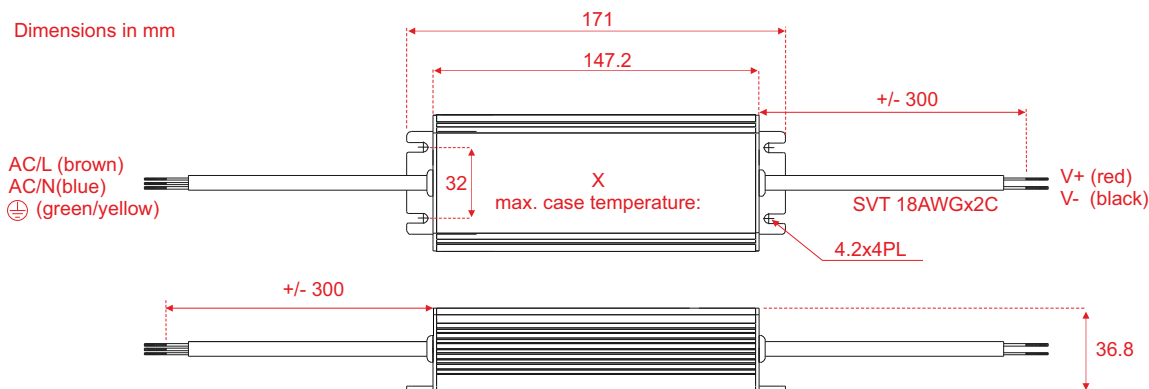
EMC Immunity: Compliance to EN61000-4-2,3,4,5,6,8,11; EN61547, EN55024, light industry level (surge 4KV), criteria A

MTBF: 336.5K hrs min. MIL-HDBK-217F (25°C)

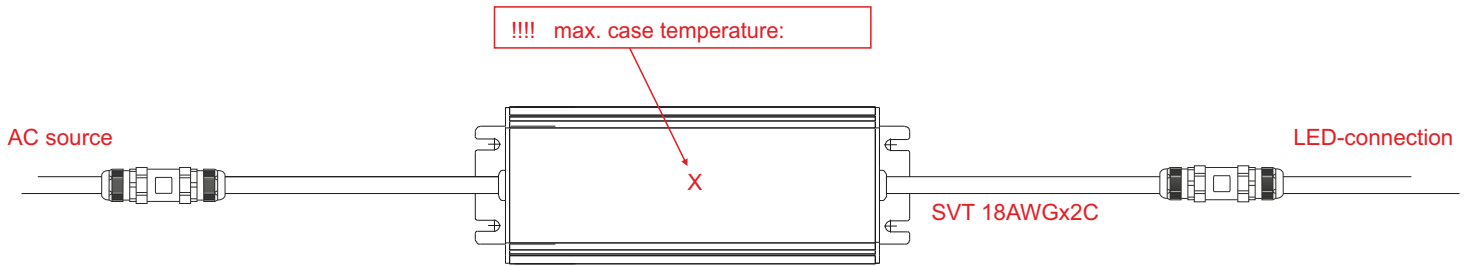
Classification: IP-67 Class II design for indoor and outdoor installations



Dimensions in mm



Create waterproof connections.



3-Pole IP68 Cable connection tube-short

Ordernr: A9920302

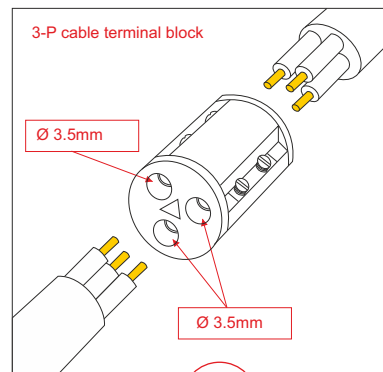
Max. inner-cable inductor entries: 3x 3.5mm²
Outer cable min/max diam. 5-13mm

220V~450V max 16A
Dimension: 82 x Ø26.5mm
Weight: 0.04 Kg

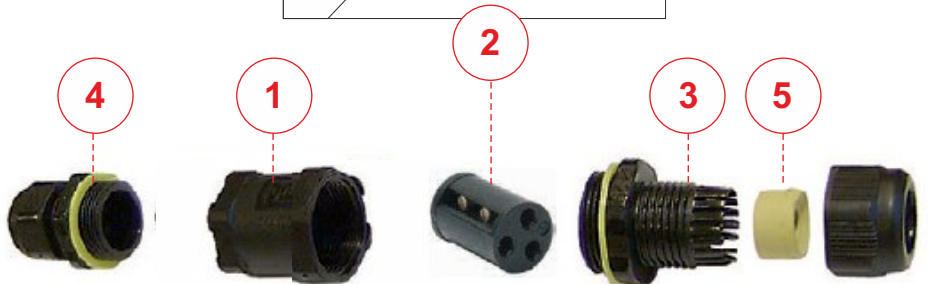
Protection: Class IP-68 (5 Bar)
(Protected against the effects of continuous immersion in water)

Working Temp.: -20° / +125°

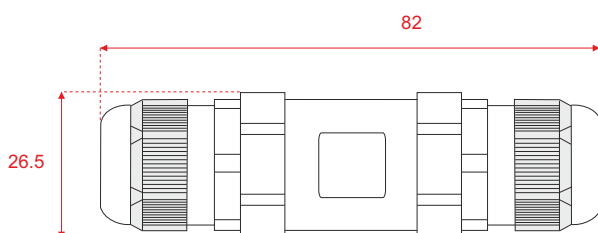
Norm Standards: CE / ENEC 03
EN60529: 1991+A1:2000-
IP68:20MT/50MT-POF;60MIN
EN 60998-1:2004
EN 60998-2-1:2004



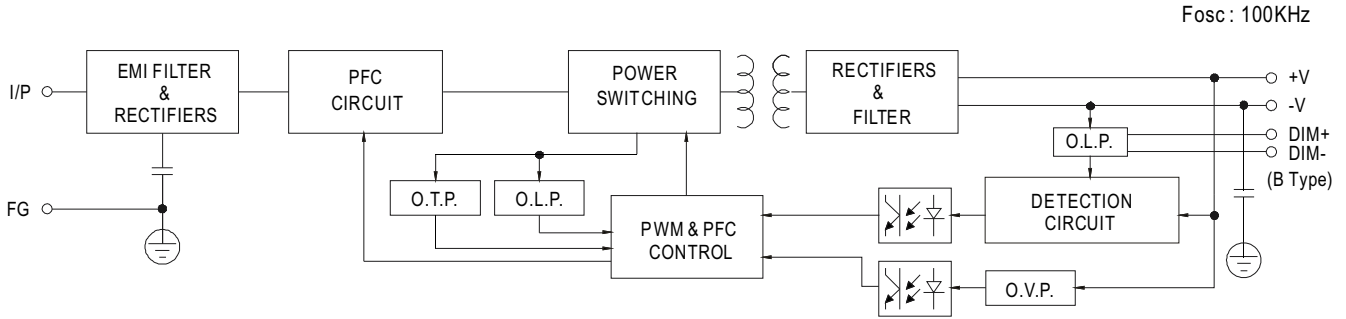
- 1 External tube: Polyamide with high mechanical and thermal resistance (-20°C / + 125°C)
- 2 Terminal block: Polyamide with nickel plated brass (max.) 3.5mm inserts
- 3 Cable glands: Polyimide with high mechanical and thermal resistance
- 4 Gasket: Silicon with excellent elastic and aging resistance
- 5 Seals: TPE-V allows a safe closure and adherence to different cable-types



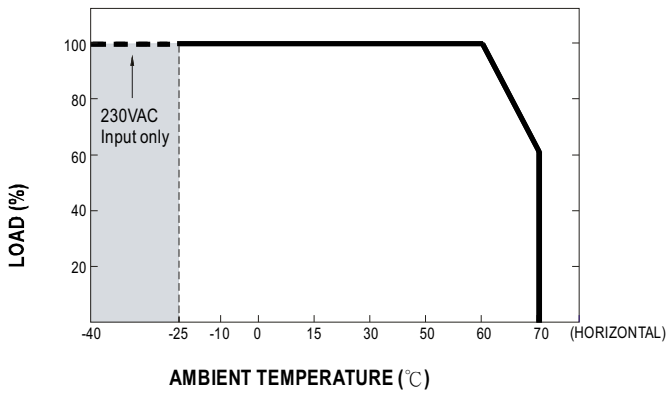
Dimensions in mm:



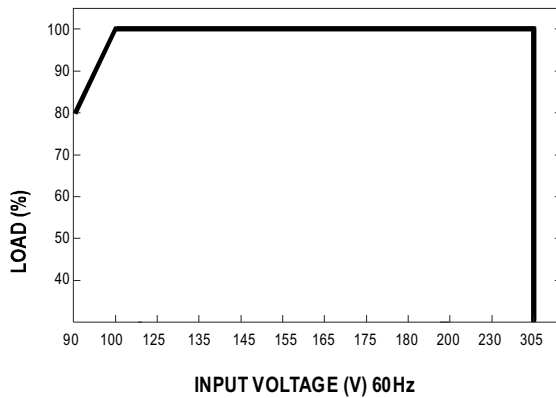
■ Block Diagram



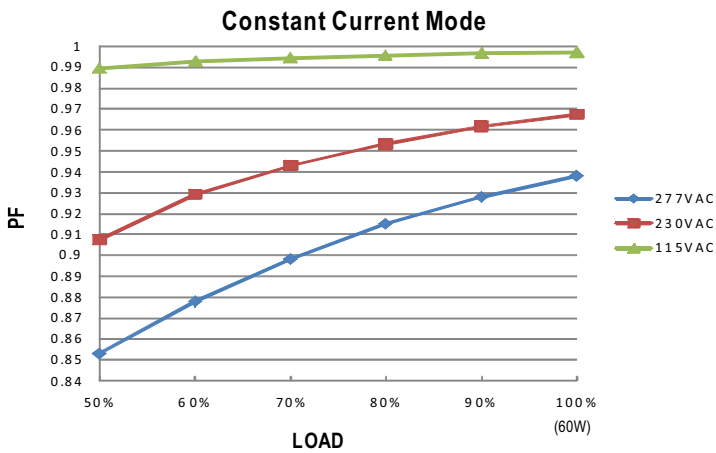
■ Derating Curve



■ Static Characteristics



■ Power Factor Characteristic

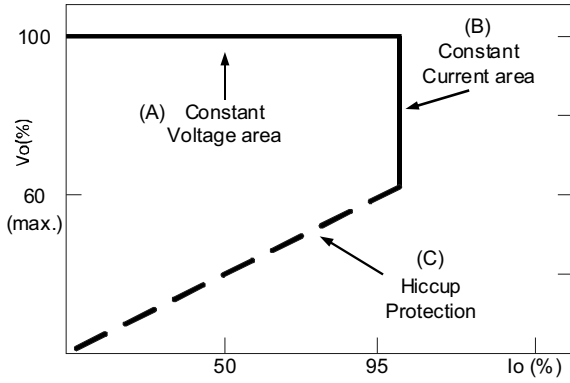


DRIVING METHODS OF LED MODULE

There are two major kinds of LED drive method "direct drive" and "with LED driver".

A typical LED power supply may either work in "constant voltage mode (CV) or constant current mode (CC)" to drive the LEDs.

Mean Well's LED power supply with CV+ CC characteristic can be operated at both CV mode (with LED driver, at area (A) and CC mode (direct drive, at area (B)).



Typical LED power supply I-V curve