

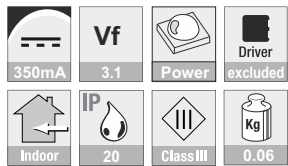
HALIFAX-40 WW

Ordernr: A0139940

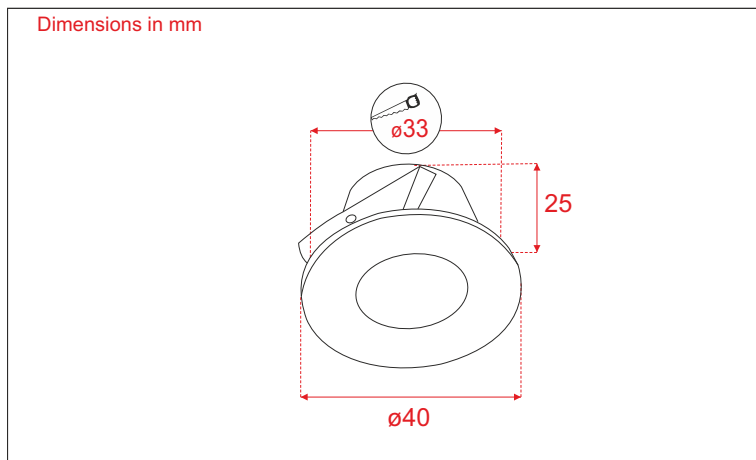
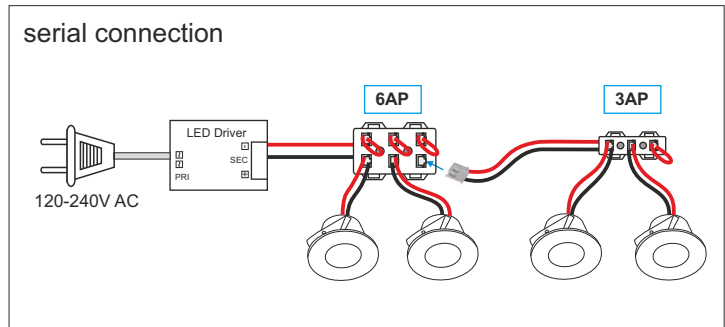
Lamp type: recessed down-light
1x 1 W warm-white LED
Light direction: direct

Housing: solid Aluminium
Weight: 0.03 Kg
Dimensions fixture: ø40 x 25 mm
Classification: IP-20/44 Class III
Operating Power: constant current 350mA
Excluded (external) LED-driver

Optional LED-drivers: see next pages



Always disconnect the mains of the LED driver before plugging or unplugging the LED's !!
The LED's will be damaged or destroyed because of the high voltage present on the driver output when there is no load connected. **Connect the main after all Led's and plugs are connected !**
Attention !! Load minimal 1 LED fixture



| Height | Halifax WW 20° | Diam. | Avg. | Nadir.E |
|--------|----------------|-------|--------|---------|
| 0.5m | | 0.18m | 474 Lx | 252 Lx |
| 1.0m | | 0.35m | 244 Lx | 157 Lx |
| 1.5m | | 0.53m | 153 Lx | 98 Lx |
| 2.0m | | 0.70m | 61 Lx | 39 Lx |
| 2.5m | | 0.88m | 44 Lx | 28 Lx |
| 3.0m | | 1.06m | 27 Lx | 17 Lx |

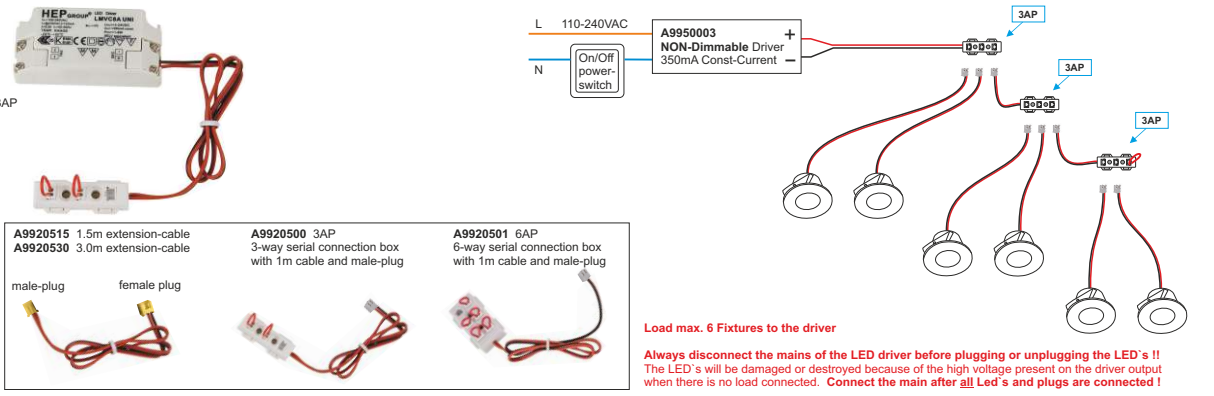
A Non Dimmable

A9950003 Non Dimmable LED driver LMVC8A
 Constant current 350mA max. 8W
 included 1 mtr Cable & 3-way serial connection plug 3AP

100V~240V 50~60Hz
 Rated Output Power: 1-8W
 Max. forward Voltage: DC 3-27V
 LED Type: 1W
 Dimensions L x W x H (mm): 85x40x22
 Weight: 0.05 Kg
 Protection: Class II
 Temp ta: -20°C ~ +50°C / tc: 70°C

Available accessoires

A9920515 1.5m extension-cable
 male-plug to female plug
 A9920530 3.0m extension-cable
 male-plug to female plug
 A9920500 3AP 3-way serial connection box
 with 1 m cable and male-plug
 A9920501 6AP 6-way serial connection box
 with 1 m cable and male-plug



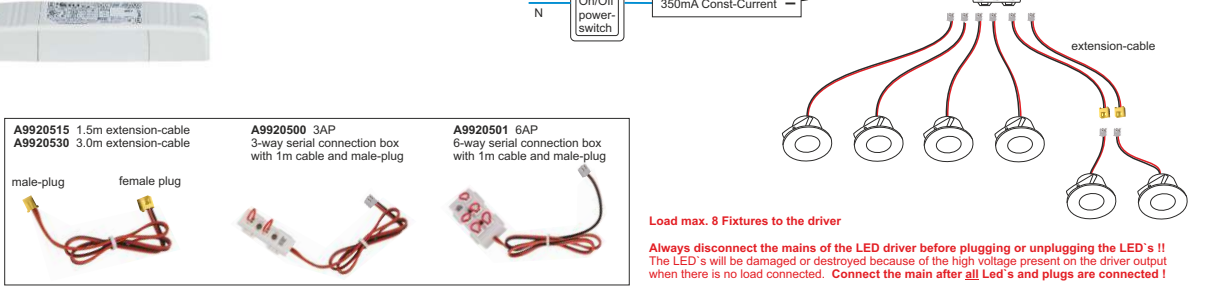
Load max. 6 Fixtures to the driver

Always disconnect the mains of the LED driver before plugging or unplugging the LED's !!
 The LED's will be damaged or destroyed because of the high voltage present on the driver output when there is no load connected. **Connect the main after all Led's and plugs are connected !**

B Non Dimmable

A9950009 Non Dimmable LED driver
 Constant current 350mA
 110V~60Hz min. 1W / max. 10W
 240V~50Hz min. 1W / max. 15W
 Vf: 2-43VDC

Dimension LxWxH (mm): 115x34x19
 Weight: 0.06 Kg
 Protection: built-in
 Temp ta: -20°C ~ +45°C / tc: 75°C



Load max. 8 Fixtures to the driver

Always disconnect the mains of the LED driver before plugging or unplugging the LED's !!
 The LED's will be damaged or destroyed because of the high voltage present on the driver output when there is no load connected. **Connect the main after all Led's and plugs are connected !**

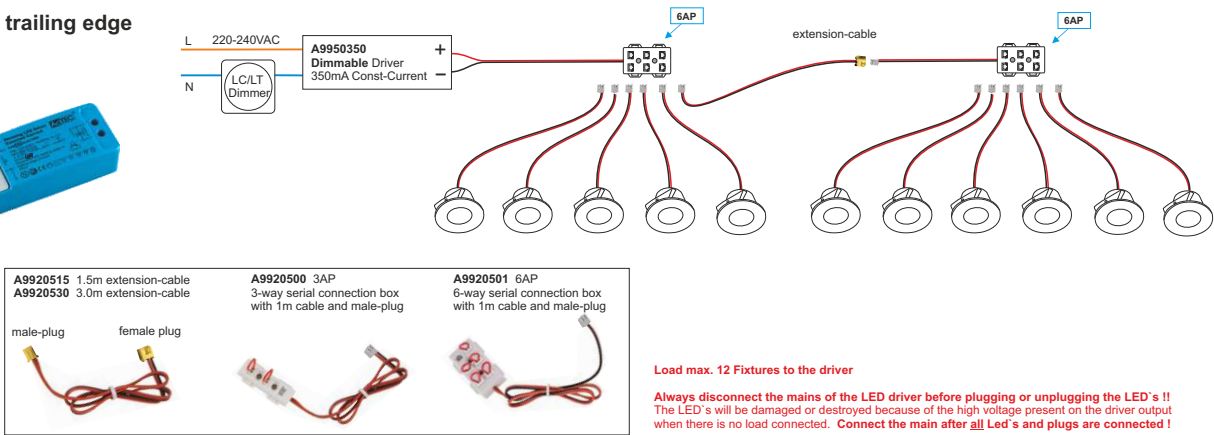
C Dimmable by Leading or trailing edge

A9950350 Dimmable LED driver
 Constant current 350mA max. 18W
 Leading or trailing edge dimmable
 (Dimmable by TRIAC Dimmer)

Technical Specifications:

Primair: 220-240V AC
 Power Factor: 90
 Sec: constant current 350mA Vf: 15-52
 Overheat, overload & short circuit protection
 safe no load protection
 Dimming Range: 1-100%
 Easy press cable lock
 Working Temperature: -20° ~ +50°C Tc = 90°C

Housing: Blue ABS
 Dimensions in mm: 113 x 44 x 28
 Weight: 0.1 Kg
 Classification: IP-20 Class II



Load max. 12 Fixtures to the driver

Always disconnect the mains of the LED driver before plugging or unplugging the LED's !!
 The LED's will be damaged or destroyed because of the high voltage present on the driver output when there is no load connected. **Connect the main after all Led's and plugs are connected !**

D Dimmable by Push Button or 0-10V

A9950010 Dimmable LED-driver
 Dimmable 1-10V or Push Button
 Constant Current or Constant Voltage

Technical Specifications:

Prim. Voltage: 110V~240V 50~60Hz!
 Max input current: 0.17A
 Power factor λ: 0.95
 ta °C: -20° +50° tc °C: 75°
 Protection: overheat, short ciqluit, overload
 Dimension L x W x H (mm): 103 x 67 x 21
 Weight: 0.11 Kg Protection: IP-20 Class II

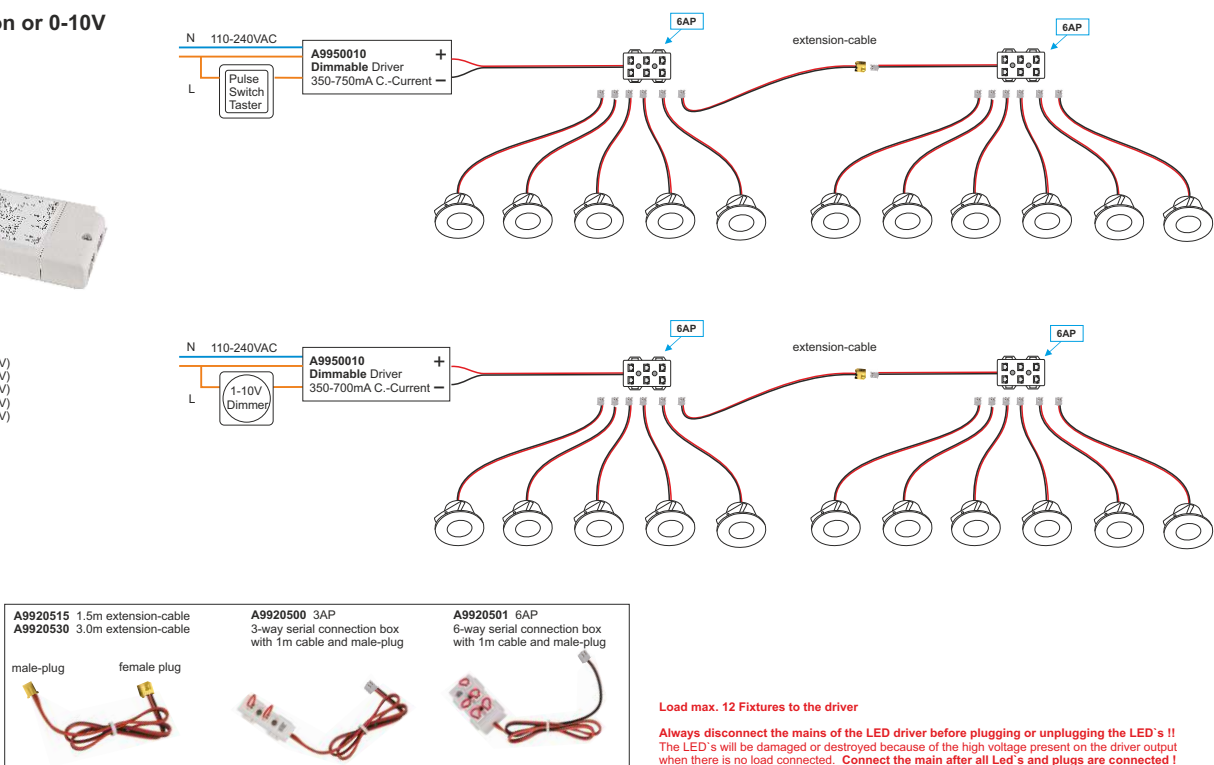
Constant Current @230VAC:
 350mA: 15W +/-6% (Vf: 2-43V) max. 15W (Vf: 2-43V)
 500mA: 22W +/-5% (Vf: 2-43V) max. 15W (Vf: 2-30V)
 550mA: 22W +/-5% (Vf: 2-43V) max. 15W (Vf: 2-28V)
 700mA: 25W +/-5% (Vf: 2-36V) max. 15W (Vf: 2-28V)
 750mA: 25W +/-5% (Vf: 2-34V) max. 15W (Vf: 2-20V)

Constant Voltage:
 10V 9W@230VAC 9W@110VAC
 12V 10W@230VAC 10W@110VAC

Advised Dimmable Controllers: (see page 24)
 Pulse switch: Jung 531-41U

A9950017 Sync cable

For synchronisate 2 ore more drivers
 if controlled by one Pulse switch.



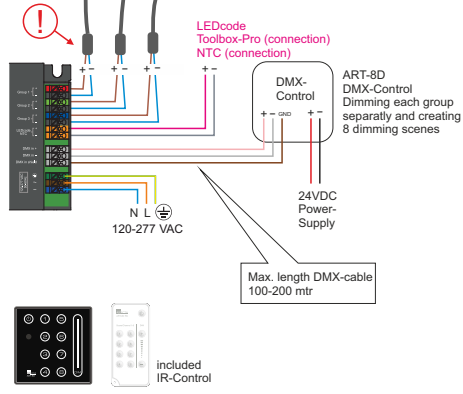
Load max. 12 Fixtures to the driver

Always disconnect the mains of the LED driver before plugging or unplugging the LED's !!
 The LED's will be damaged or destroyed because of the high voltage present on the driver output when there is no load connected. **Connect the main after all Led's and plugs are connected !**

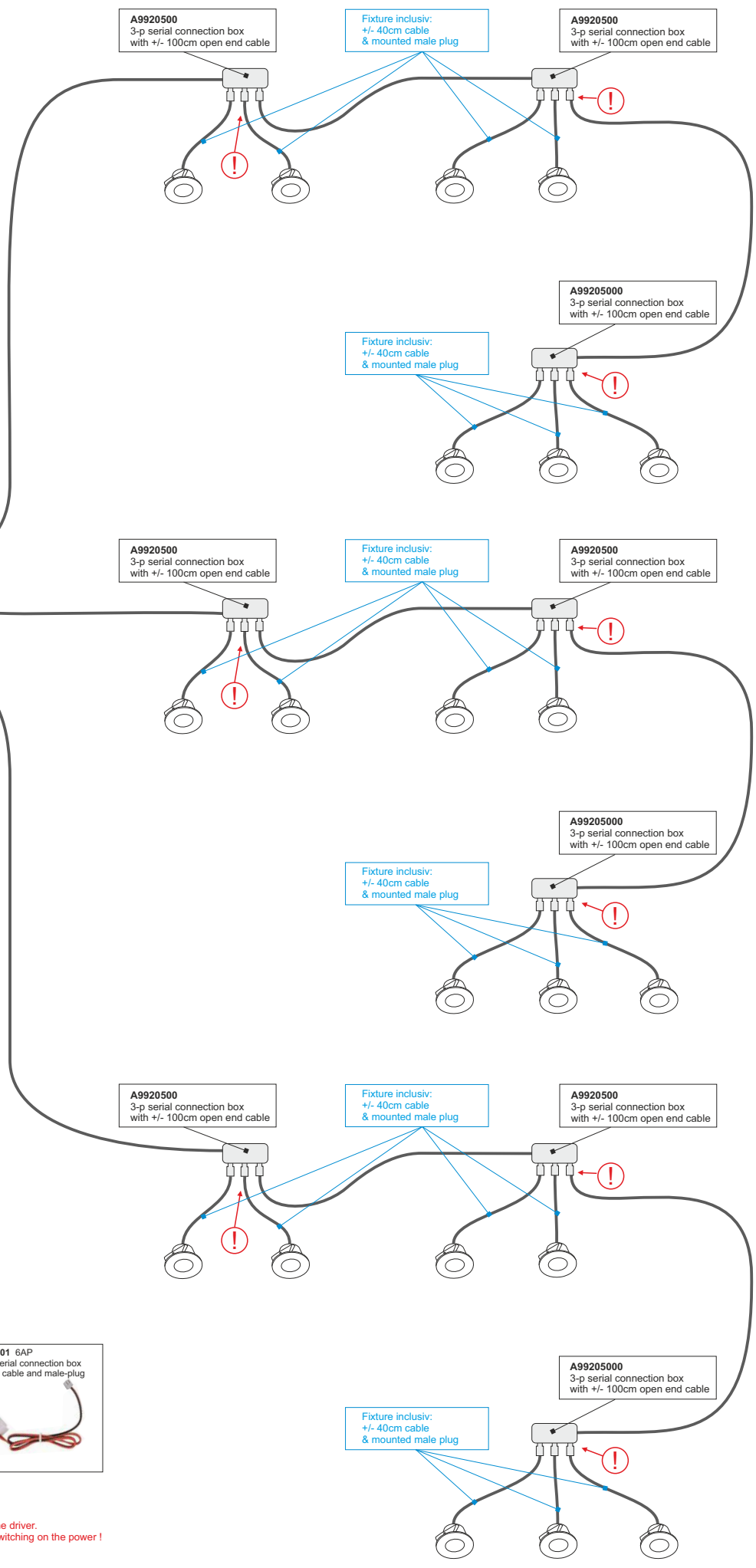
E Dimmable with EldoLED 3-channel Driver and DMX-controller



A9950044 EldoLED PowerDrive-50W (PWR0562 A1)
3 separately Dimmable LED outputs
controllable by 3 DMX-Addresses
The constant current output is standart set to 350mA
For other settings, the toolbox Pro A9915056 is required



Up to 8 LED-Groups can be controlled by the ART-8D DMX-Controller.
Each group can be dimmed separately and 8 dimming scenes can be recorded



| | | |
|--------------------------------------|---|---|
| A9920515 1.5m extension-cable | A9920500 3AP 3-way serial connection box with 1m cable and male-plug | A9920501 6AP 6-way serial connection box with 1m cable and male-plug |
| male-plug female-plug | | |

! Load max. 12 Fixtures to one output-channel and total max. 36 Fixtures to one driver.
To avoid damages to the LED, all cables & plugs must be connected before switching on the power !

F Dimmable with EldoLED

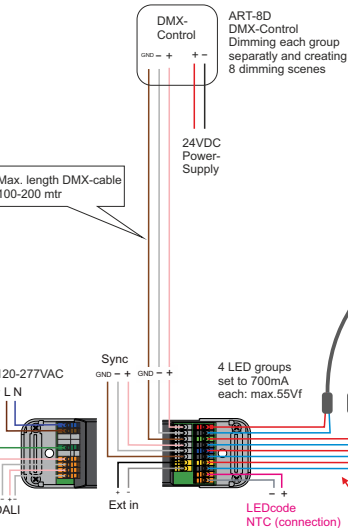
4-channel Driver and DMX-controller



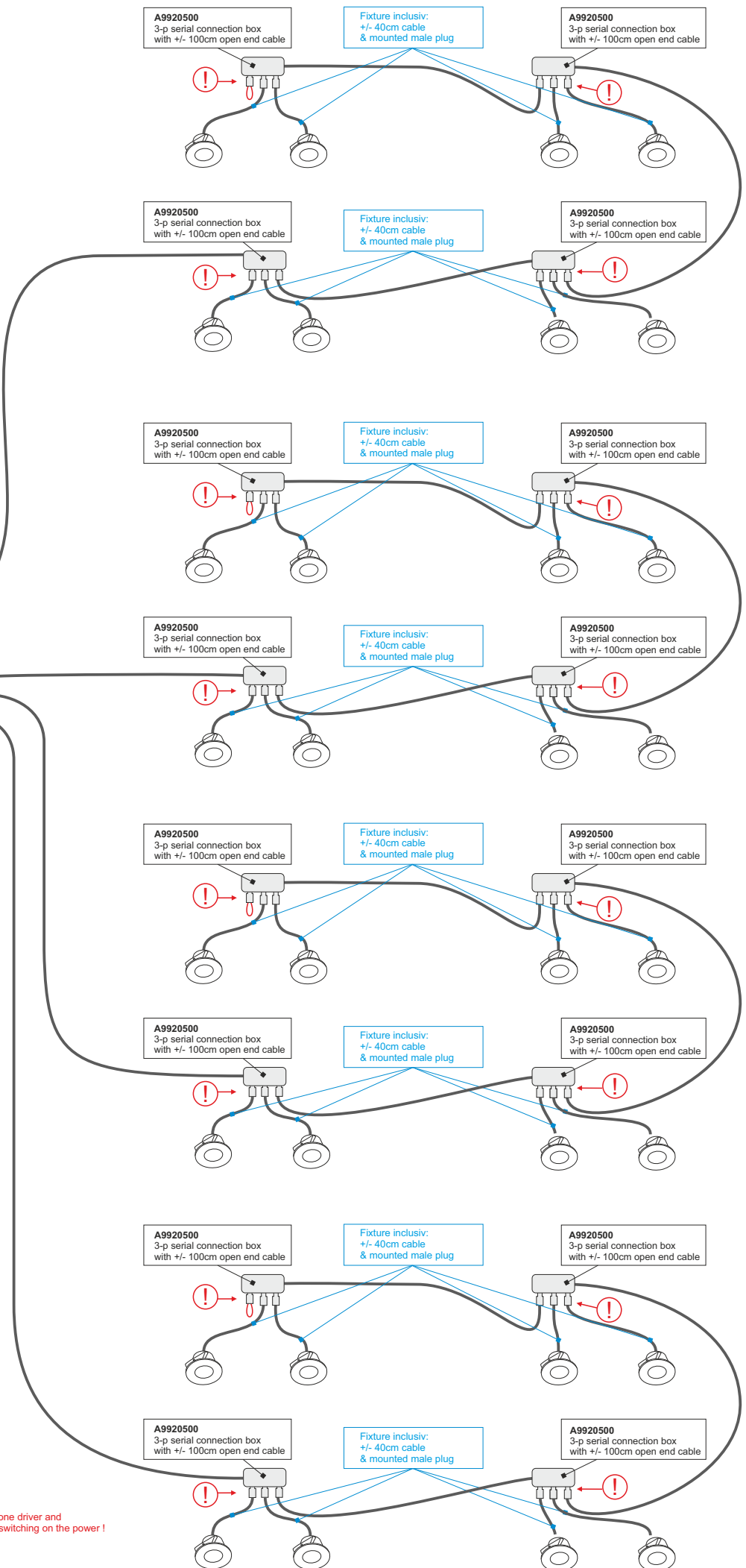
A9950045 EldoLED PowerDrive-100W (PWR16 A1)
 4 separately Dimmable LED outputs
 controllable by 4 DMX- or DALI Addresses or 1-10V
The constant current output is standard set to 350mA
and must be set to 700mA
 All settings, can be changed by 3 buttons (M - +) below the LCD

The PowerDrive-100 can be set to different control-modes:

- 1 DMX-Channel: Fader-1 controls all 4 LED-Groups
- 2 DMX-Channels: Fader-1 controls LED-Group 1&2
Fader-2 controls LED-Group 2&3
- 4 DMX-Channels: Fader-1 controls LED-Group-1,
Fader-2 controls LED-Group-2,
Fader-3 controls LED-Group-3
Fader-4 controls LED-Group-4

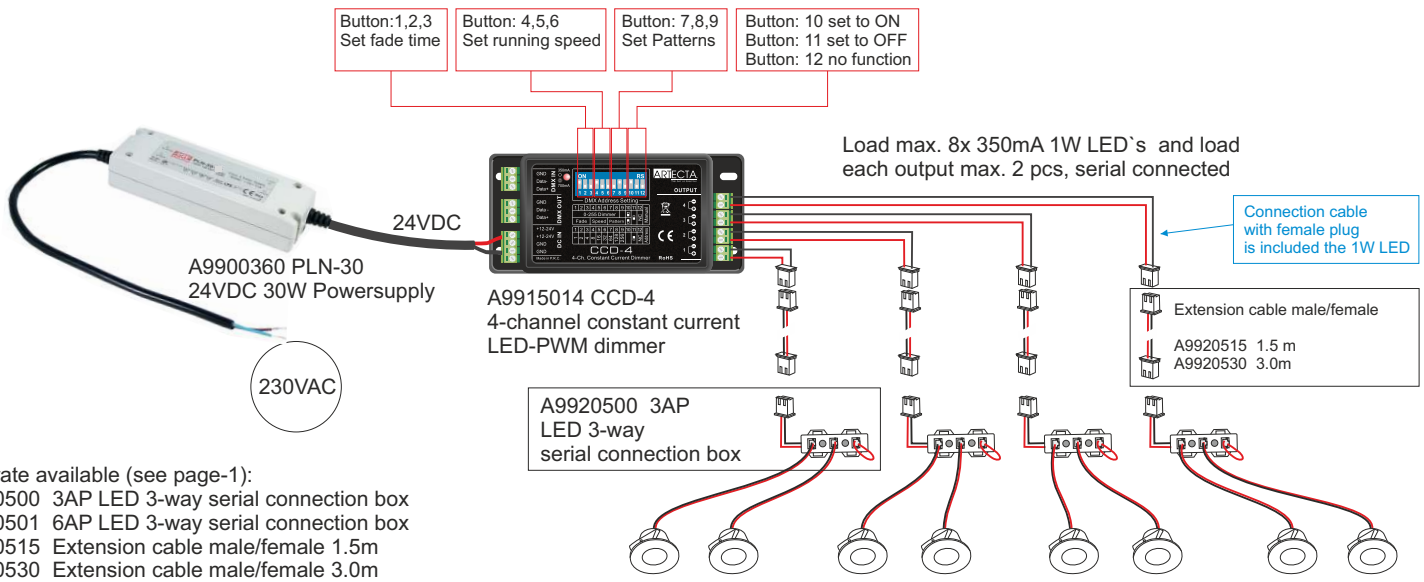


Up to 8 LED-Groups can be controlled by the ART-8D DMX-Controller.
 Each group can be dimmed separately
 and 8 dimming scenes can be recorded



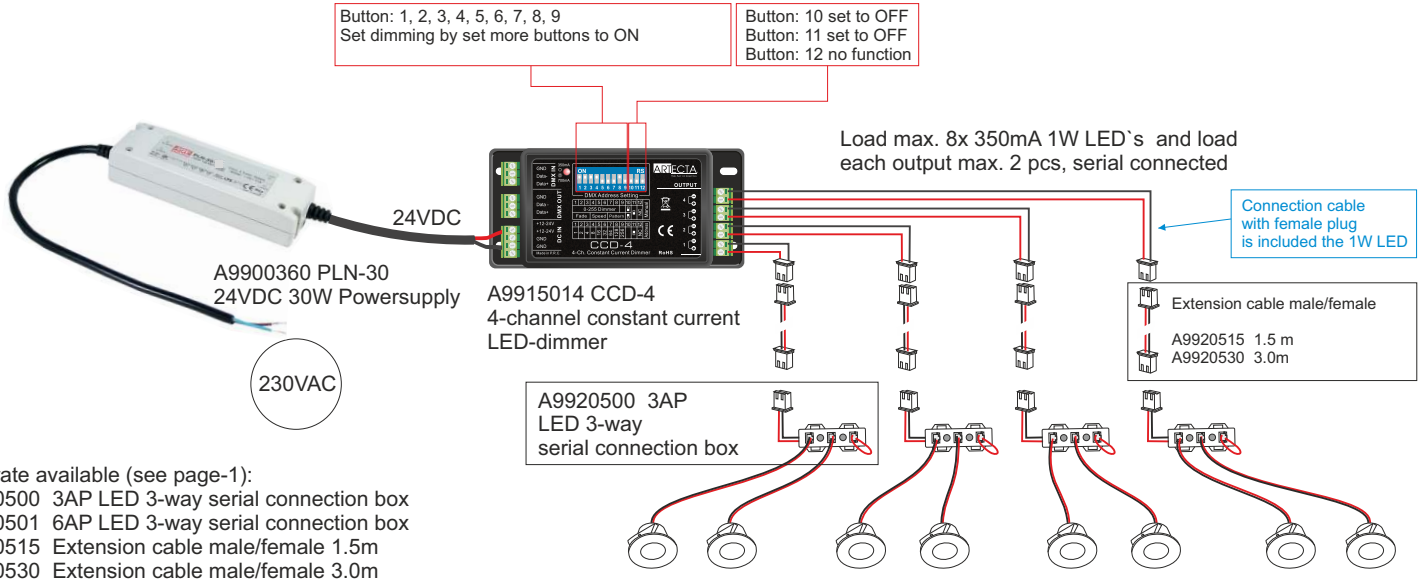
! Load max. 12 Fixtures to one output-channel and total max. 48 Fixtures to one driver and to avoid damages to the LED, all cables & plugs must be connected before switching on the power !

G-1 Stand-alone mode, with Powersupply & 4-channel PWM using the built-in (fade)-Patterns of the CCD-4



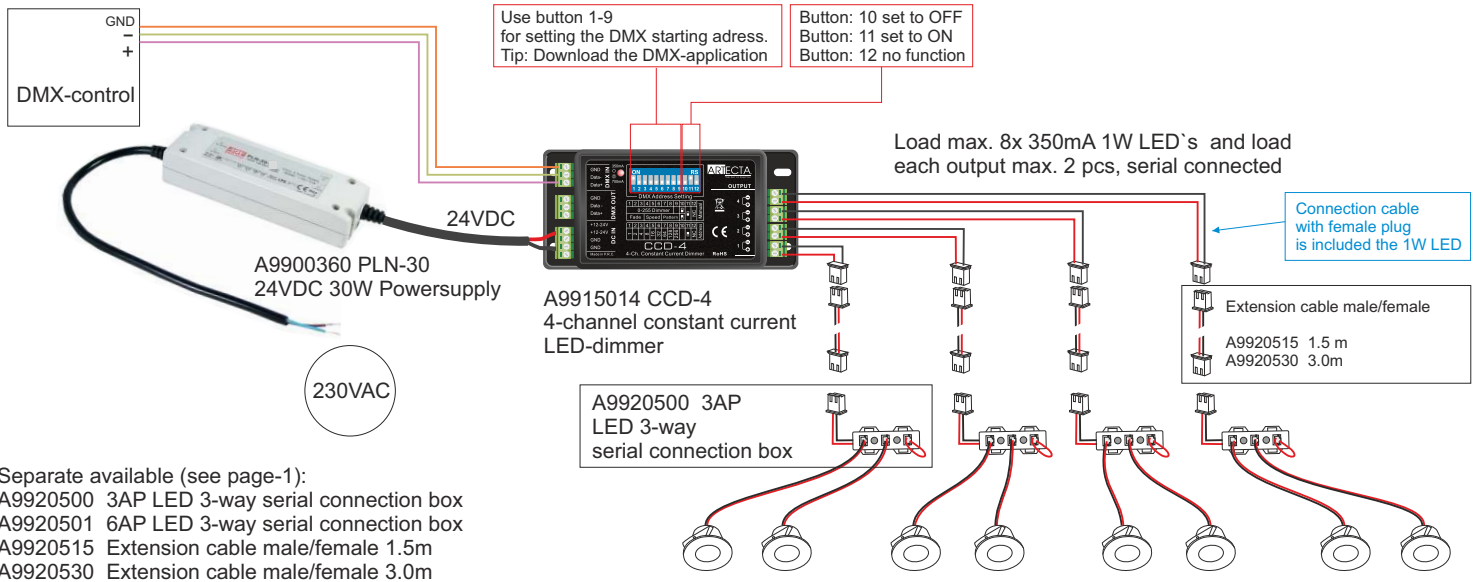
Separate available (see page-1):
 A9920500 3AP LED 3-way serial connection box
 A9920501 6AP LED 3-way serial connection box
 A9920515 Extension cable male/female 1.5m
 A9920530 Extension cable male/female 3.0m

G-2 Stand-alone mode, with Powersupply & 4-channel PWM-Dimmer using the dimmer function of the CCD-4



Separate available (see page-1):
 A9920500 3AP LED 3-way serial connection box
 A9920501 6AP LED 3-way serial connection box
 A9920515 Extension cable male/female 1.5m
 A9920530 Extension cable male/female 3.0m

G-3 DMX controlled by an external controller with Powersupply & 4-channel PWM-Dimmer



Separate available (see page-1):
 A9920500 3AP LED 3-way serial connection box
 A9920501 6AP LED 3-way serial connection box
 A9920515 Extension cable male/female 1.5m
 A9920530 Extension cable male/female 3.0m