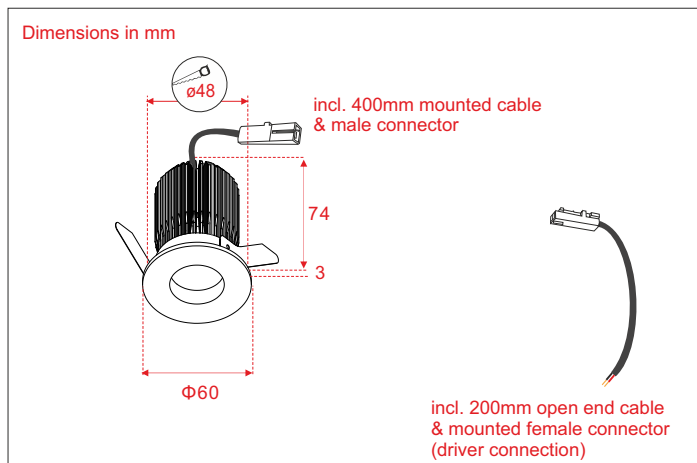
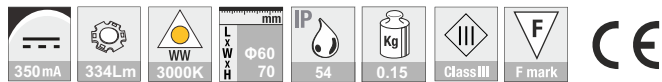








**A0139550 Encanta-7R WW**  
 7Watt COB-LED (Bridgelux) 334Lm 3000K  
 White Housing

Lamptype: recessed down-light  
 homogeneous 40° light beam  
 CRI: 80  
 Housing: solid Aluminium white painted RAL9016  
 Weight: 0.15 Kg  
 Dimensions fixture:  $\Phi 60$  x H70 mm  
 Fixture Classification: IP54 Class III

Operating Power: Constant Current 350mA  
 Vf: 18.8  
 Fixture included:  
 • 40cm mounted cable with male connector  
 • 20cm open-end cable with mounted female connector



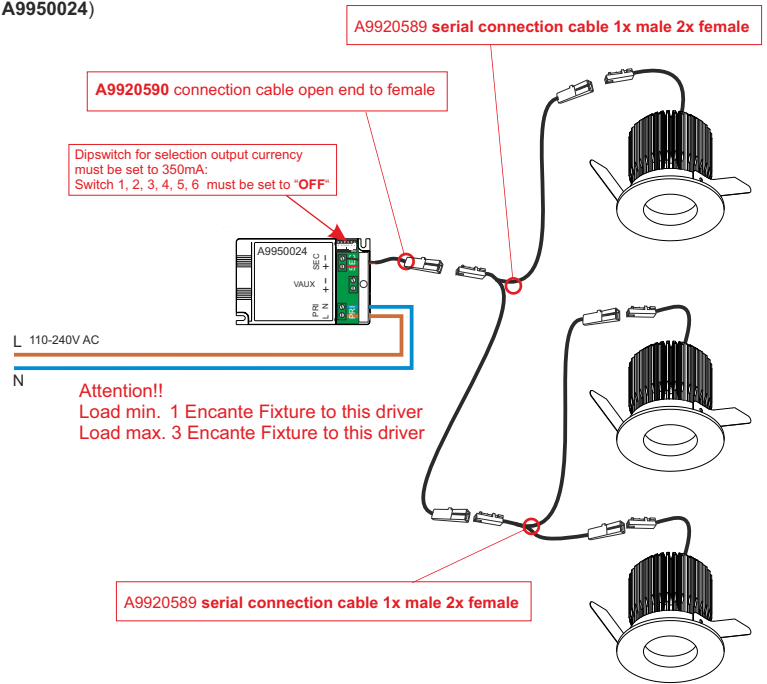
Height	Encanta-7R WW (3000K) 32.4°	Diam.	Avg.	Nadir.E
0.5m		0.29m	3108 Lx	4617 Lx
1.0m		0.58m	777 Lx	1154 Lx
1.5m		0.87m	345 Lx	513 Lx
2.0m		1.16m	194 Lx	289 Lx
2.5m		1.45m	140 Lx	209Lx
3.0m		1.74m	86 Lx	128 Lx

**A Non-Dimmable**, using the LED Constant current Driver @350mA 25W (ordernr: **A9950024**)

Housing: White ABS  
Weight: 0.15Kg  
Dimensions in mm: 124.5 x 79 x 22

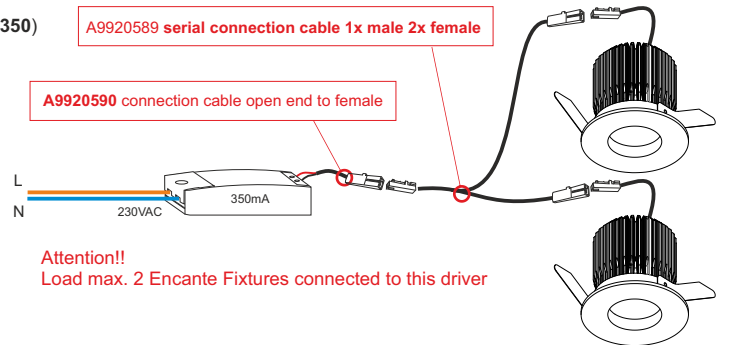
**Constant current must be set to 500mA**  
**Set microswitch 1, 2, 3, 4, 5 and 6 to "OFF"**

@230VAC 350mA 25W / Vf: 2-74  
@110VAC 350mA 25W / Vf: 2-71



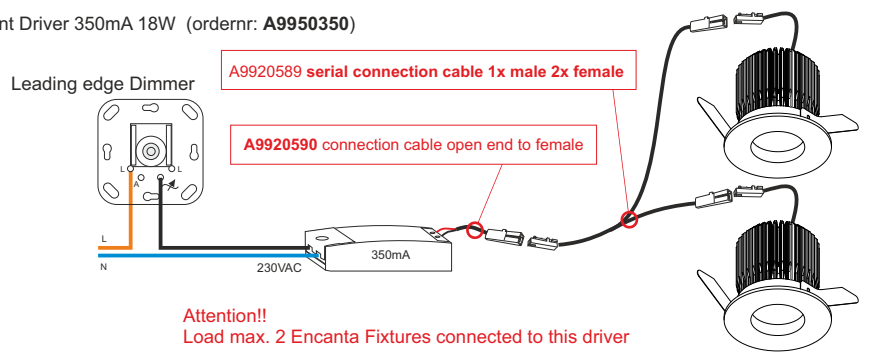
**B Non-Dimmable**, using the LED Constant current Driver 250mA 18W (ordernr: **A9950350**)

Housing: Blue ABS  
Weight: 0.1 Kg  
Dimensions in mm: 113 x 44 x 37.5  
Primair: 220-240V AC / 0.11A  
Sec: constant current 350mA  
Forward Voltage: 15-52V  
Working Temperature: -20° ~ +50°C  
Tc = 90°C  
Classification: IP-20 Class II



**C Dimmable by leading edge dimmer**, using the LED Constant current Driver 350mA 18W (ordernr: **A9950350**)

Housing: Blue ABS  
Weight: 0.1 Kg  
Dimensions in mm: 113 x 44 x 37.5  
Primair: 220-240V AC / 0.11A  
Sec: constant current 350mA  
Forward Voltage: 15-52V  
Working Temperature: -20° ~ +50°C  
Tc = 90°C  
Classification: IP-20 Class II



**D Dimmable**, using the LED Constant current Driver 350mA 15W (ordernr: **A9950010**)

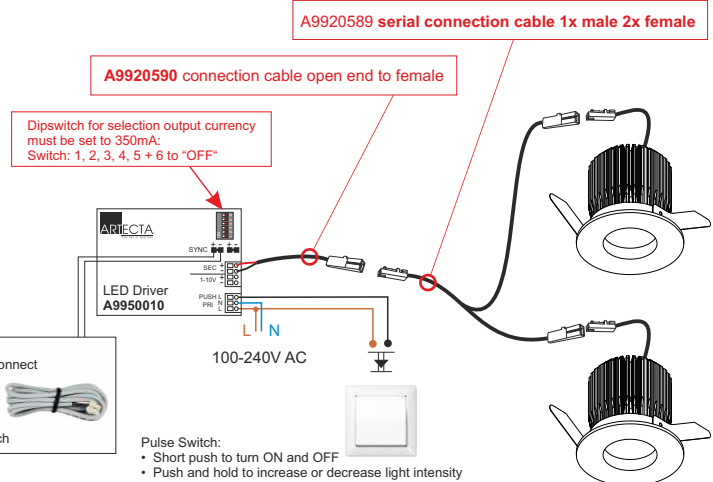
Housing: White ABS  
Weight: 0.11Kg  
Dimensions in mm: 103 x 67 x 21

**Set microswitch 1, 2, 3, 4, 5 and 6 to "OFF"**

@230VAC 350mA 15W / Vf: 2-43  
@110VAC 350mA 15W / Vf: 2-43



**A9950017**  
Synchronise connection-cable to connect the next driver  
Max 10 drivers can be connected and controlled by one Pulse Switch



Pulse Switch:  
• Short push to turn ON and OFF  
• Push and hold to increase or decrease light intensity

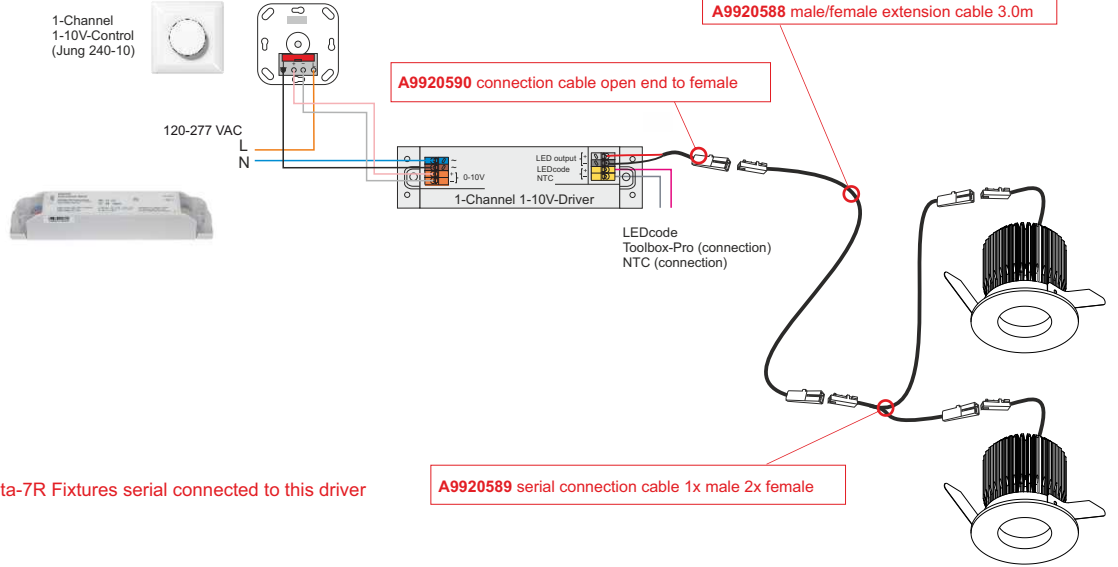
**Attention!!**  
Load max. 1 Encanta Fixture connected to this driver

**E Dimmable by 1-10V, using the A9950360 LED Constant current Driver EldoLED SoloDrive-30W SL0361 A**

Housing: White ABS  
 Weight: 0.21Kg  
 Dimensions in mm: 210 x 40.4 x 33.5

LED constant current driver max. 30W  
 Primair: 120-277VAC 50/60Hz  
 Sec: @350mA 30W / Vf: 2-55

**Constant Current output is standart set to 350mA**  
**For other settings, the toolbox A9915056 is required**



**Attention!!**  
 Load max. 2 Encanta-7R Fixtures serial connected to this driver

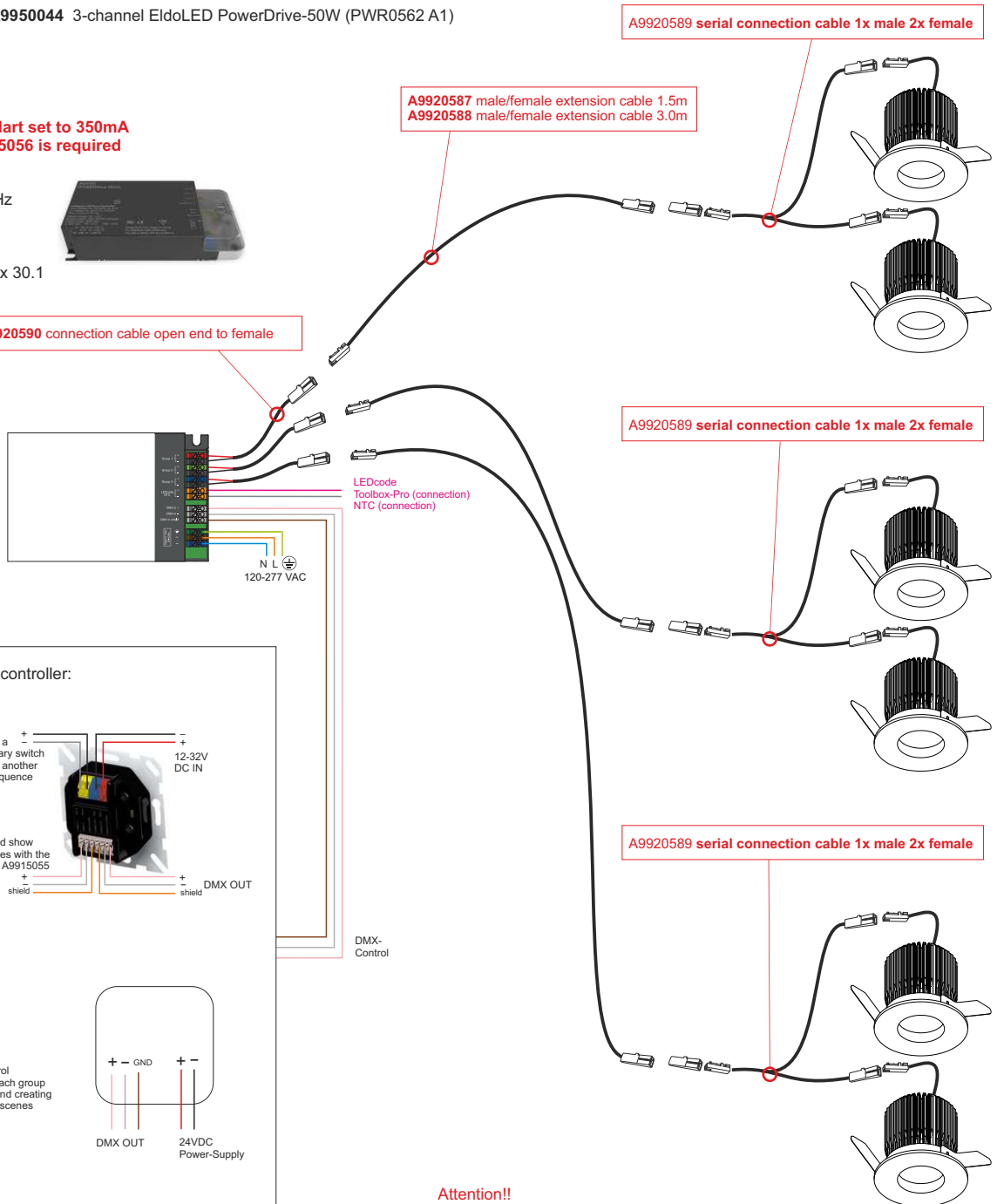
**F Dimmable by DMX-512, using the A9950044 3-channel EldoLED PowerDrive-50W (PWR0562 A1)**

- 3 separately Dimmable LED outputs
- DMX/RDM compatible
- controllable by 3 DMX-Adresses

**The constant current output is standart set to 350mA**  
**For other settings, the toolbox A9915056 is required**

Universal Voltage: 120-277VAC 50/60Hz  
 Vf: min. 2V, each output  
 Vf: max. 55V, each output

Dimensions in mm LxWxH: 152.5 x 76 x 30.1  
 Weight: 0.372 Kg



A9920590 connection cable open end to female

A9920587 male/female extension cable 1.5m  
 A9920588 male/female extension cable 3.0m

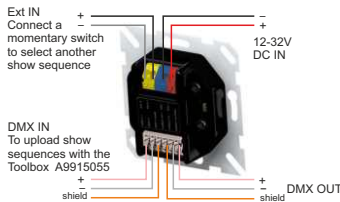
A9920589 serial connection cable 1x male 2x female

A9920589 serial connection cable 1x male 2x female

A9920589 serial connection cable 1x male 2x female

Advised compatible DMX Dimmable controller:

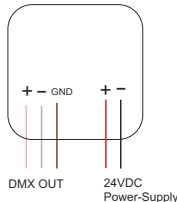
A9915050 Dimwheel



A9915062(63) ART-8D



ART-8D DMX-Control  
 Dimming each group separately and creating 8 dimming scenes



or any DMX-controll Panel

**Attention!!**  
 Load min. 1 Encanta-7R Fixture connected to this driver  
 Load max. 1 Encanta-7R Fixture to one output of this driver  
 Total Load max. 3 Encanta-7R Fixtures to this driver

**A9950048 EldoLED PowerDrive-600W PW6060R**  
LED constant current driver max.600W

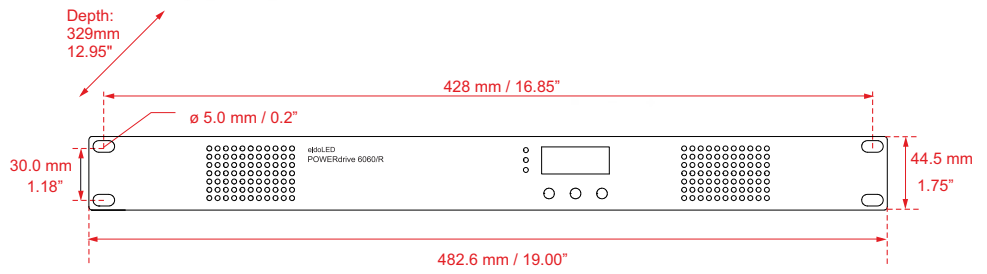
- Dimmable by 0-10V,
- Dimmable by DALI (4x DALI group)
- Dimmable by DMX & RDM (32x DMX channel)

• Stand-alone with 9 default shows, up to 20 user-defined shows, uploadable with TOOLbox and TOOLbox software

**Constant Current output is standart set to 350mA**  
**Connecting the Encanta-7R fixture, it must be set to 350mA**

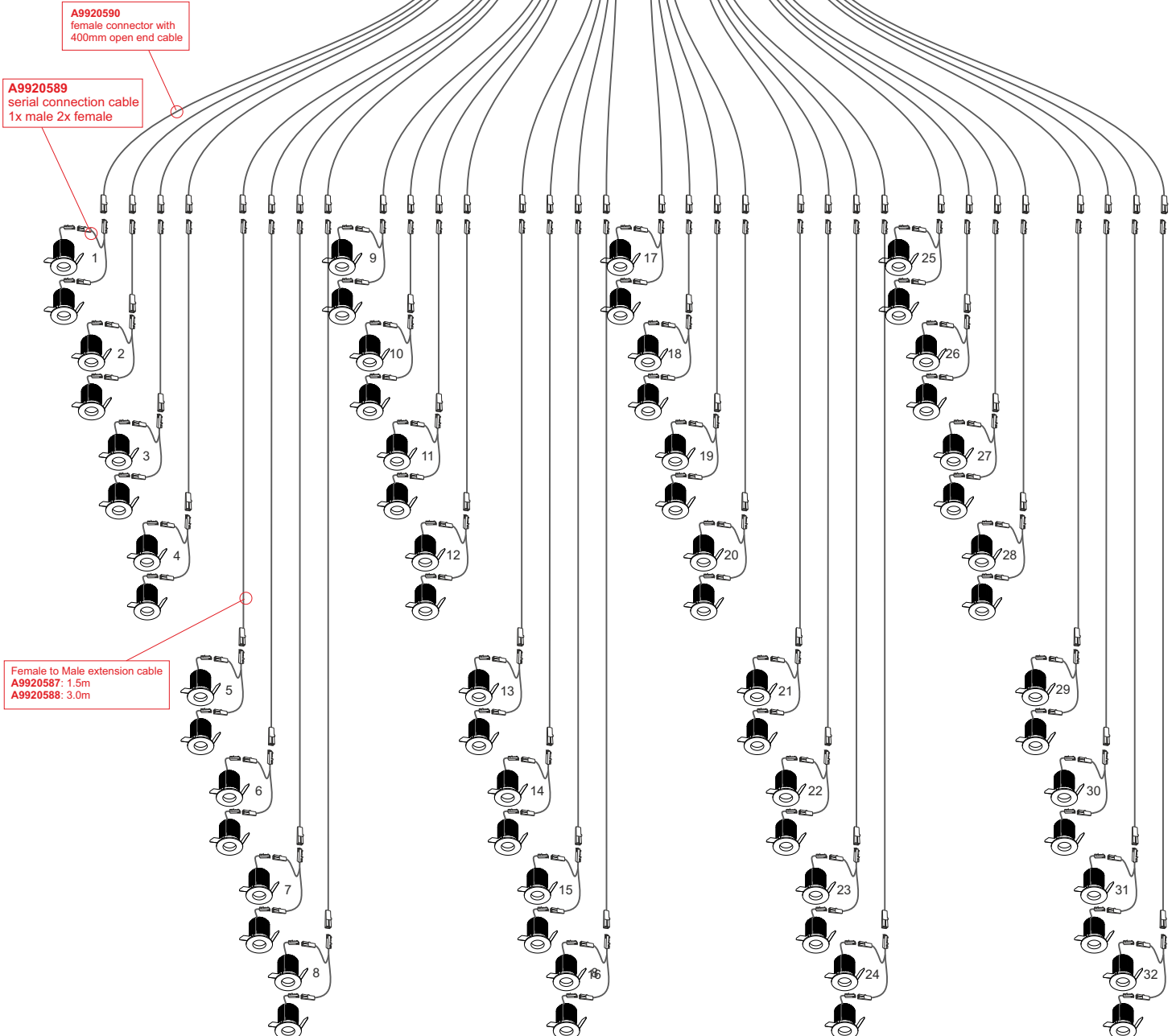
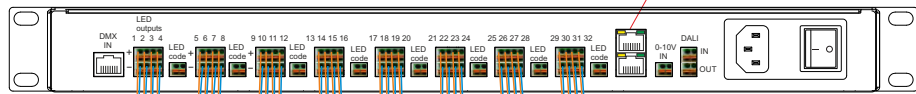
Universal input Voltage: 120V~277V 50/60Hz  
Led outputs: 32x 200mA-1050mA  
Power factor: > 0.9  
min/max forward Voltage: 32x 2-48VDC

Full dimming control: 100% to 0%,  
Choice of linear or logarithmic dimming curve  
Maximum (rated) power available over wide LED-voltage (30-55V) range  
NTC interface per 4 LED-outputs for robust thermal management  
Dimensions L x W x H (mm):482.6(19")x324x44.5(1HE)  
Weight: 6.1 Kg  
Worldwide Certifications:  
• CE,  
• IEC 61347, IEC 62384, EN 55015,  
EN 55022, IEC 61000-3-2, IEC 61547  
• UL: pending



**DMXRDM** **DALI** **0-10V**  
**CE LEDcode SHOWmaster**

DMX 2x RJ-45 (CAD-5)  
orange/white = DMX+  
orange = DMX-  
Brown/white = GND (shield)



The Driver has 32 outputchannels. Load max. 2x Encanta-7R fixtures, serial connected, to one output-channel and total max. 64 Encanta fixtures to one driver.  
To avoid damages to the LED, all cables & plugs must be connected before switching on the power !