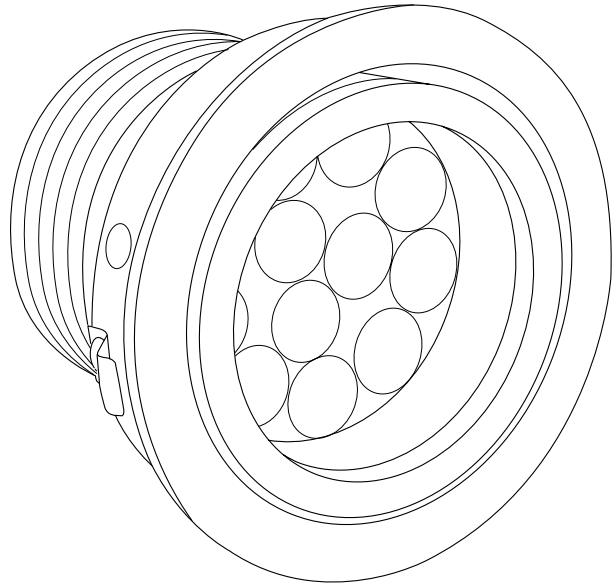


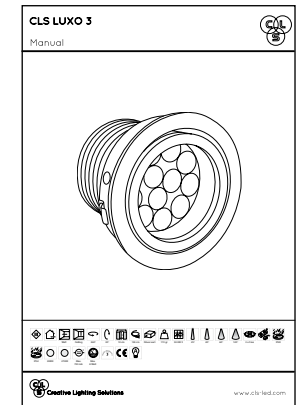
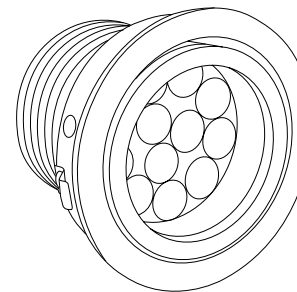
Index	2	Diffusion glass	5
Safety information	2	Lensplate replacement	6
Content	2	Wiring diagram MT drivers	7
Technical	3	Wiring diagram LDC-41 dimmer	8
Specifications	3	Wiring diagram MTD drivers	9
Installation	4	Accessories	10
Luxo 3 ceiling units	4	List of symbols	11



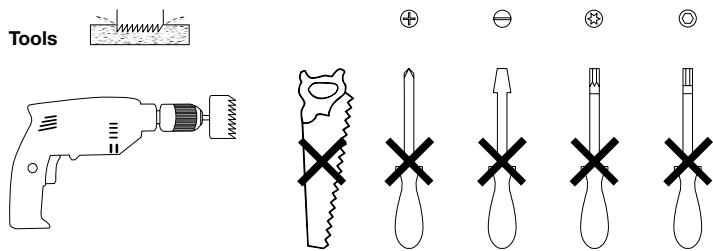
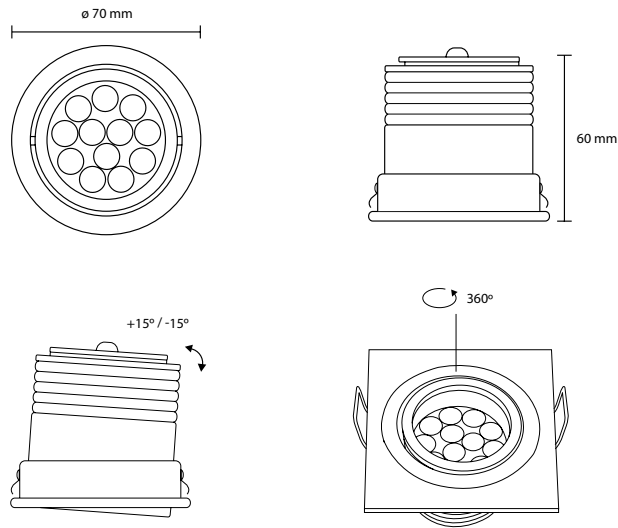
SAFETY INFORMATION

<p>Always switch off mains power of the driver before connecting or maintaining any fixtures!</p>	<p>Make sure all connectors are connected properly</p>	<p>Use a source of AC power that complies to local electrical codes</p>	<p>Block access below the work area when maintaining the unit</p>	<p>Do not stare into the LED</p>	<p>Ambiance Max. 40°</p>	<p>Qualified technician</p>
	<p>Don't modify or install genuine parts on this product</p>	<p>Don't install in a flammable or explosive area</p>	<p>Warning! Some surfaces can be hot</p>			

CONTENT

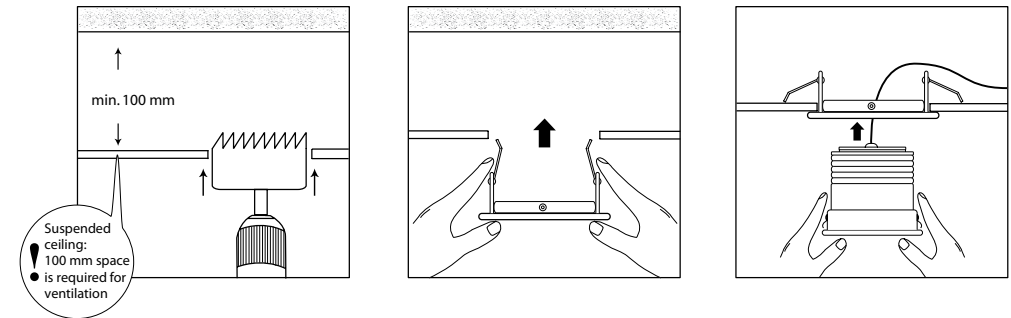


TECHNICAL



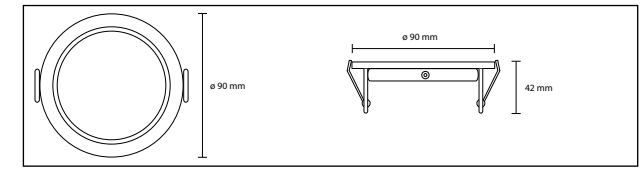
SPECIFICATIONS	
LED:	3 x Cree
Available colours:	Extra warm white 2700K, Warm white 3000K,
Lenses:	25°, 40°, 60° and 120°
Power supply:	Max. 700mA
Power consumption:	Max. 8 Watt
Housing:	Aluminum brushed
Weight:	172 gr
IP value:	IP40
	IP52 (With diffusion filter)
Cable length:	1,5 meter
Swivel angle:	+15° / -15°, rotate 360°
Measurements:	ø 70 x 60 mm (øxh)
Ambient temperature:	-10° C till +40° C

INSTALLATION

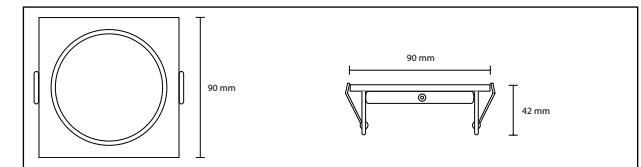


LUXO 3 CEILING UNITS

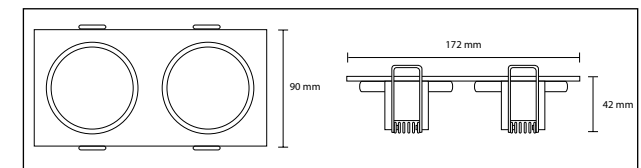
Luxo 3 ceiling unit round 1 hole
 Item nr: Y111311
 Measurements: ø 90 x 42 mm (øxh)
 Cut-out size: ø 82 mm (øxh)
 Housing: Aluminum brushed



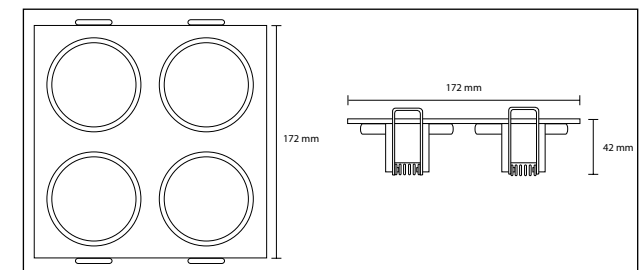
Luxo 3 ceiling unit square 1 hole
 Item nr: Y111321
 Measurements: 42 x 90 x 90 mm (hxwxh)
 Cut-out size: ø 82 mm (øxh)
 Housing: Aluminum brushed



Luxo 3 ceiling unit rectangular 2 holes
 Item nr: Y111332
 Measurements: 42 x 172 x 90 mm (hxwxh)
 Cut-out size: 164 x 82 mm (wxh)
 Housing: Aluminum brushed

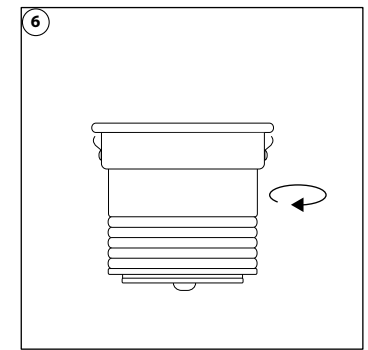
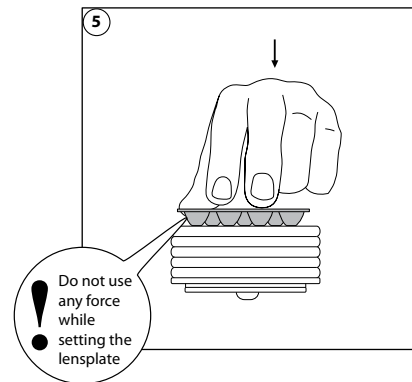
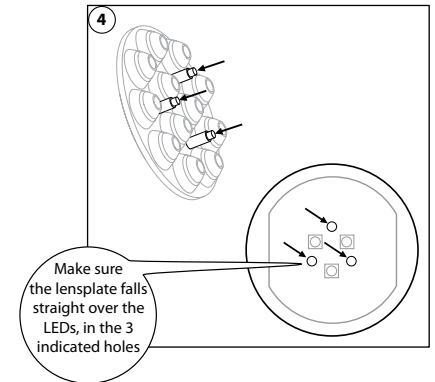
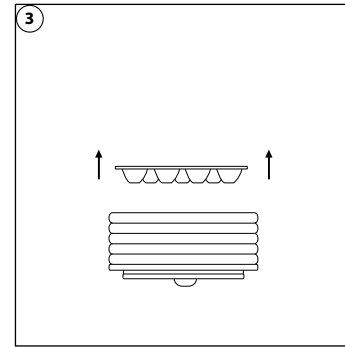
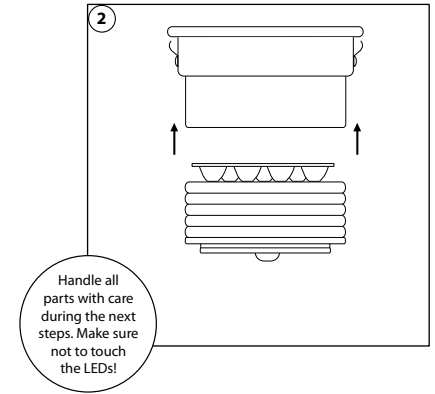
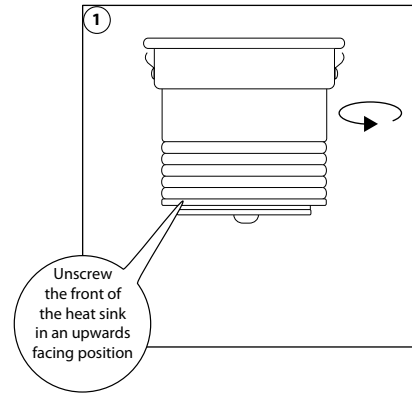
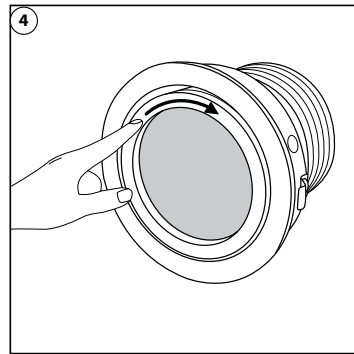
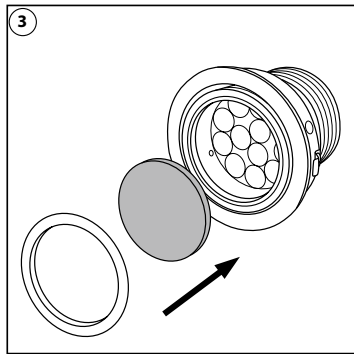
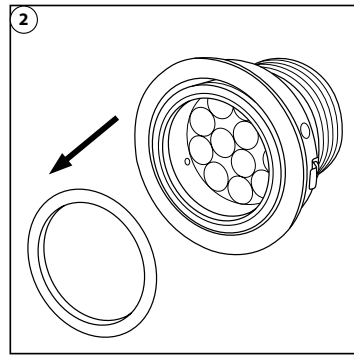
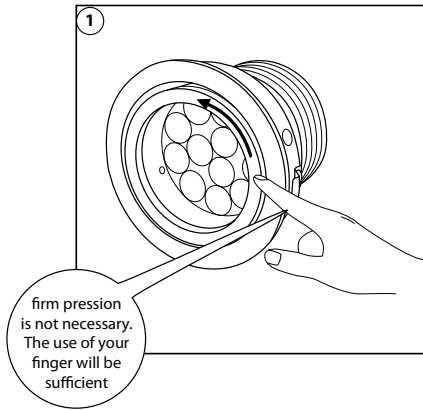


Luxo 3 ceiling unit square 4 holes
 Item nr: Y111324
 Measurements: 42 x 172 x 172 mm (hxwxh)
 Cut-out size: 164 x 164 mm (wxh)
 Housing: Aluminum brushed



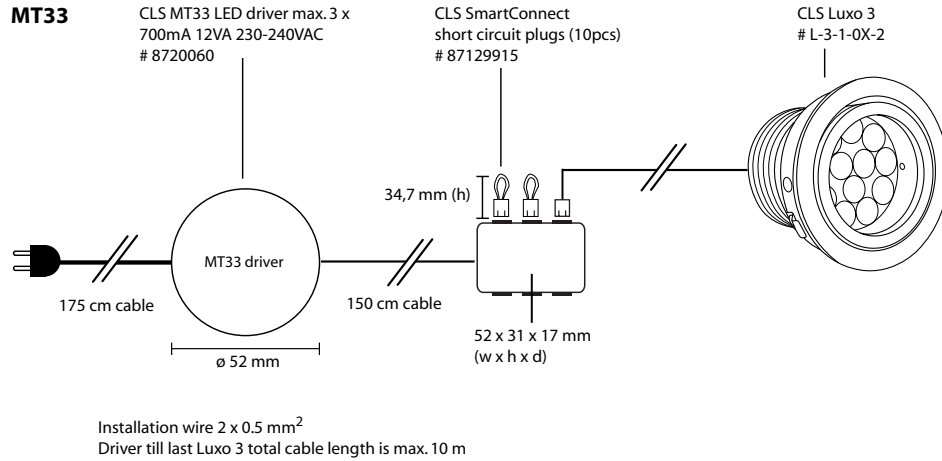
DIFFUSION GLASS

LENSPLATE REPLACEMENT

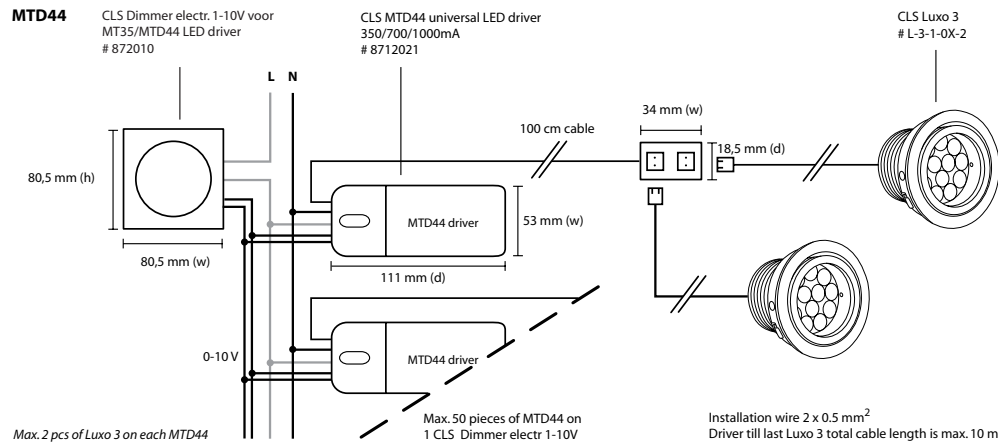


WIRING DIAGRAM MT DRIVERS

! Always switch off mains power of the driver before connecting any fixtures!

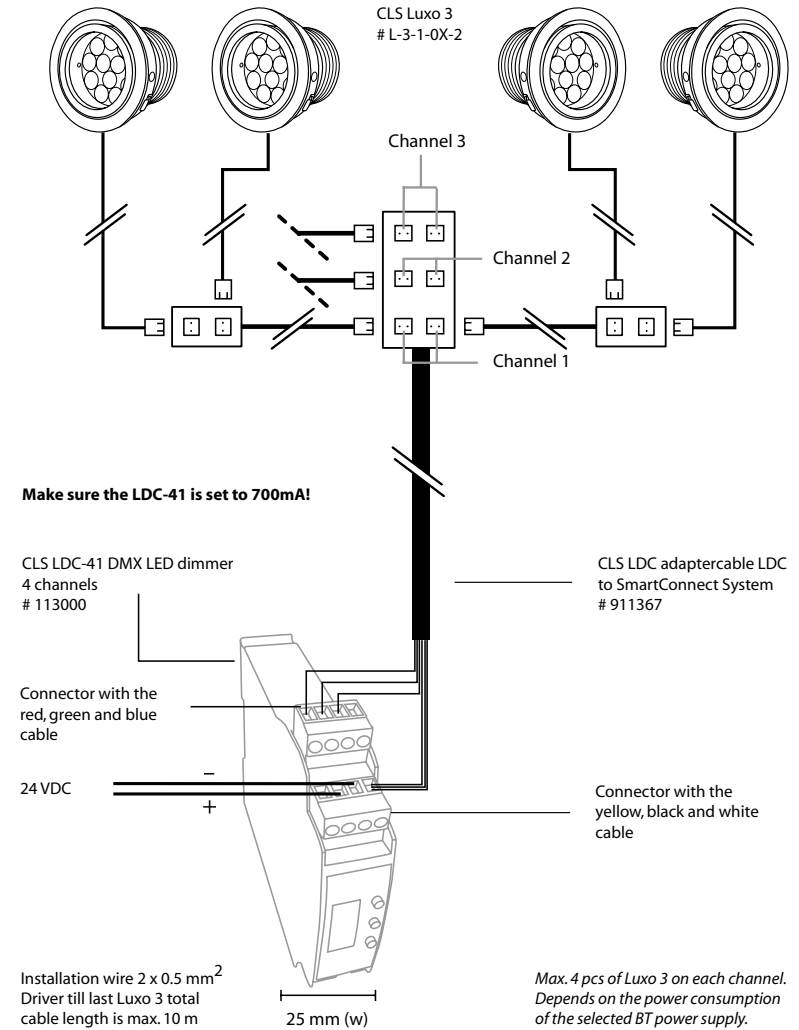


! Always switch off mains power of the driver before connecting any fixtures!

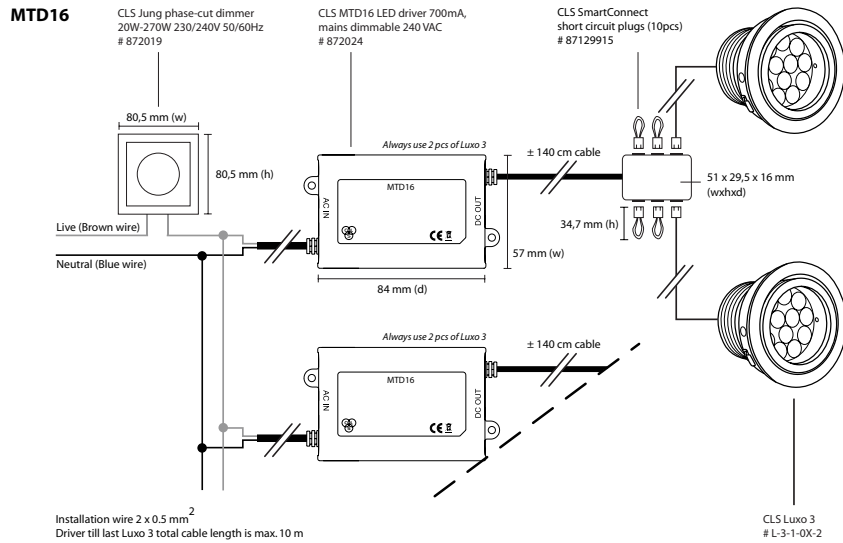


WIRING DIAGRAM LDC-41 DIMMER

! Always switch off mains power of the driver before connecting any fixtures!

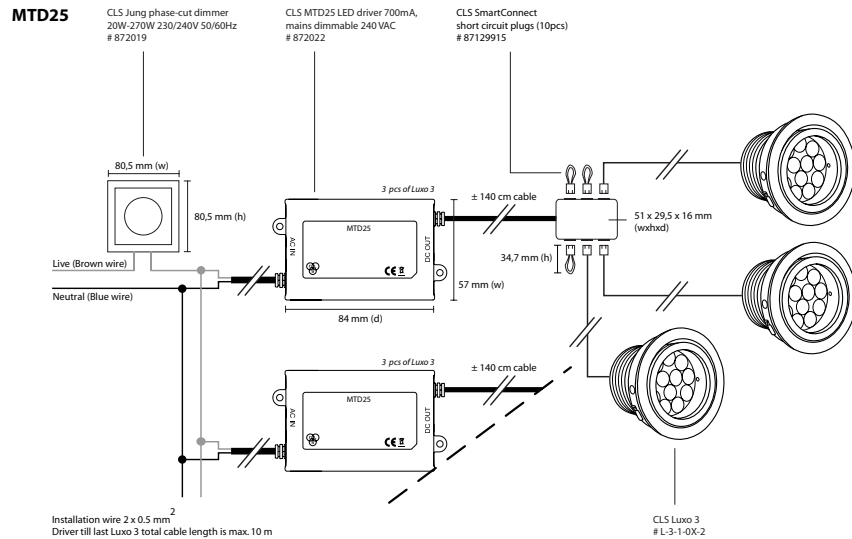


! Always switch off mains power of the driver before connecting any fixtures!

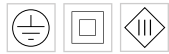


ACCESSORIES

- 113000 CLS LDC-41 DMX LED dimmer 4 channels 0.35-1A per channel
- 87129900 CLS SmartConnect 2-fold junction box & shortcircuit connect.
- 87129905 CLS SmartConnect, 6-fold junctionbox & shortcircuit connect.
- 87129915 CLS SmartConnect short circuit plugs (10pcs)
- 87129959 CLS SmartConnect extensioncable betw. 2 junctionboxes 5mtr
- 8720060 CLS MT33 LED driver for max 3pcs 700mA LEDs 220-240VAC
- 872010 CLS Dimmer electr. 1-10V for MT35/MTD44 LED driver
- 872019 CLS Dimmer Jung phase cut max. 270VA 230-240VAC
- 872021 CLS MTD44 universal LED driver 350/700/1000mA
- 872022 CLS MTD25 LED driver 700mA 9-12 LEDsmains dim.
- 872024 CLS MTD16 LED driver 700mA 6-8 LEDs mains dim.
- 911367 CLS LDC adaptercable LDC to SmartConnect system
- Y111025 CLS multilens spot 25° for Luxo
- Y111060 CLS multilens flood 60° for Luxo
- Y111099 CLS Soft diffusion filter for Luxo 3
- Y111311 CLS Luxo 3 round ceiling unit alu-brushed 1 hole
- Y111321 CLS Luxo 3 square ceiling unit alu-brushed 1 hole
- Y111324 CLS Luxo 3 square ceiling unit alu-brushed 4 holes
- Y111332 CLS Luxo 3 rectangular ceiling unit alu-brushed 2 hole



LIST OF SYMBOLS



Protection class
One, two or three



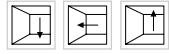
IP value
Ingress Protection classifies the degrees of protection provided against the intrusion of the product



Application area
Indoor or outdoor



Colour
Available colours:
Amber, blue, red or green



Application area
Floor, wall or ceiling



White colour temperature
In different Kelvin values;
Cold white, neutral white, warm white or extra warm white



Swivel
Fixture is horizontally rotatable, indicated in degrees



Colour changing
RGB, RGB-W, RGB-A or ABW



Swivel
Fixture is vertically rotatable, indicated in degrees



Dynamic White
Stepless control of white light



Multiple connection
Daisychain connectivity



Curve
Minimal bending curve in centimeters



Installation depth
In centimeters



Cutting length
Indicated by the cutting marks



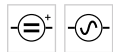
Installation size
In centimeters



LED pitch
Pitch between the LEDs in millimeters



Cable length
Maximum cable attached to the fixture in centimeters



Power supply
In VDC, VAC or milliAmpere



Driver
Inclusive or exclusive



Power consumption
In VA or Watt



Weight
In grams/kilograms



Dimmable
1-10 Volt, Phase, individual or DMX dimmable



Pressure
Maximum pressure on the fixture in kg/cm²



Magne dimming
Accurate dimming from 100 - 1% by using a magnet



Lifespan
Of the light source in hours



DMX input
Fixture works on DMX512 protocol



Lenses
Available lenses, indicated in degrees



Combined product
Compose your own fixture



Warranty
3 years warranty on the product



LEDs
Kind of LED used in the fixture



Conformité Européenne
CE marking for free marketability of industrial goods within the EU



Plug & play
Easy connection using the SmartConnect system



Energy label

2015 CLS-LED BV. All rights reserved. Information subject to change without notice, CLS-LED BV and all affiliated companies disclaim liability for injury, damage direct or indirect loss, consequential or economic loss or any other loss occasioned by the use of, inability to use or reliance on the information contained in this manual. No part of this manual may be reproduced, in any form or by any means, without permission in writing from CLS-LED BV. Other legal information can be found in our General conditions, found on the back of your CLS-LED BV invoice, inside the CLS catalogue or on our website www.cls-led.com/voorwaarden.pdf