

EINDHOVEN-85RW WW

Ordernr: A0135102

AC LED technology which can be connected directly to 220-240VAC
 No converter needed and dimmable with most dimmers.
 Integrated NECTOR-S plug system for easy plug & play
 Fixture fits in standard 75mm ceiling apertures
 Low recess depth of only 60mm and suitable for concrete and false ceilings
 Powered by high quality Energy Star LED type, comparable with 35W halogene
 Homogeneous light beam and consistent color between each downlight.
 Antiglare protection, no heat and UV radiation, waterproof front IP44
 Comply with the latest Powerfactor norms (0.91)

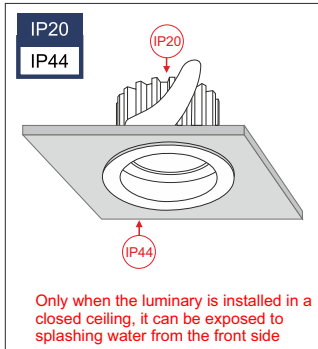
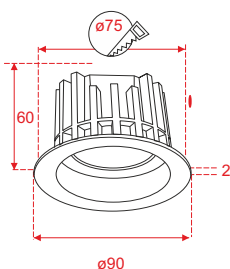
Lamp type: recessed down-light
 9W warm-white LED
 Collerating Temperature: CCT 3000K
 Color Rendering Index: 82
 Beam angle reflector: 60°
 Lumen Output: 400Lm
 Wattage: 9W
 Efficiency: 45 Lm/W

Operating Power: 220-240V AC 50/60Hz
 Housing: Diecast Aluminum
 Protection against shock: IK02
 Reflector: Aluminum with antiglare protection
 Ring: matt white RAL9016
 Weight: 0.25 Kg
 Dimensions fixture: ø90 x 60 mm
 Classification: IP20/IP-44 Class
 Photometrics: PDF & Ldt-Files available



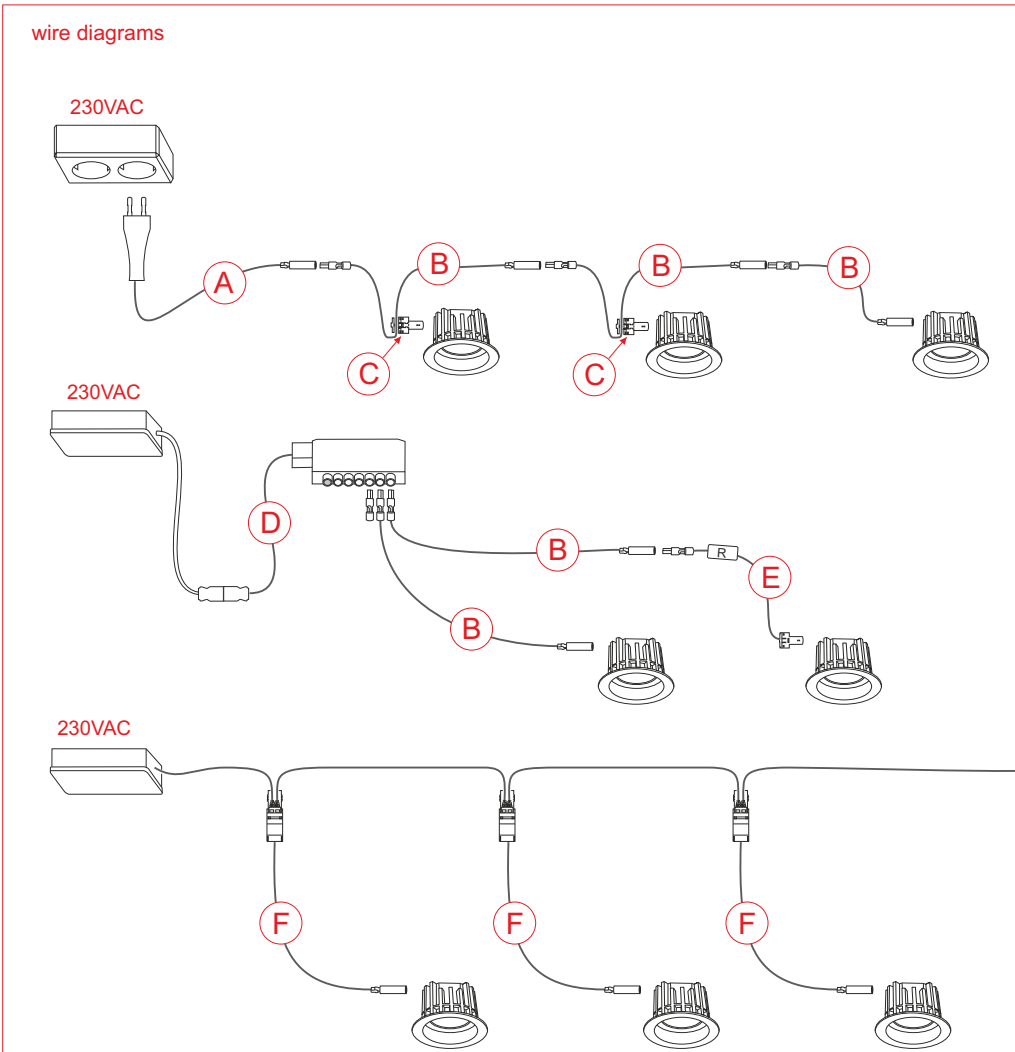
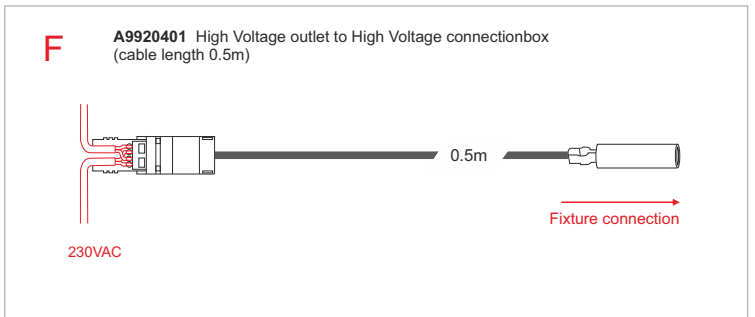
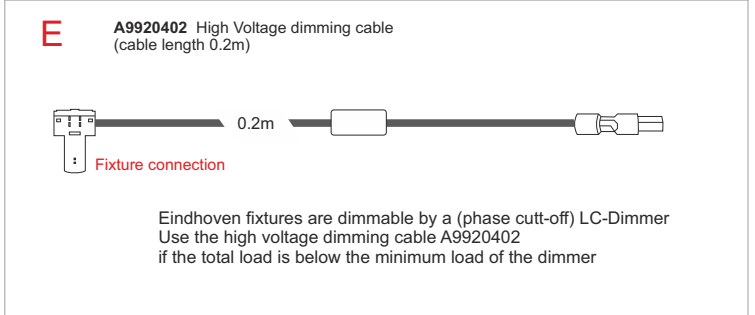
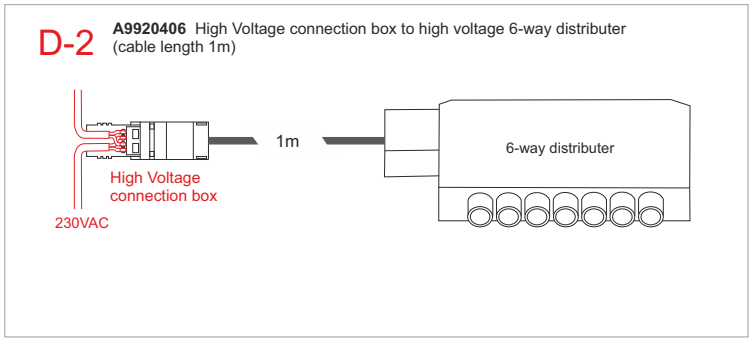
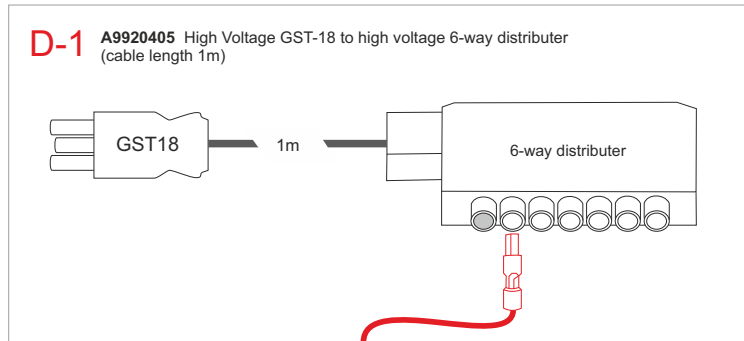
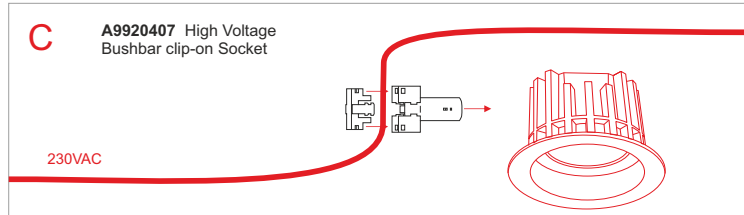
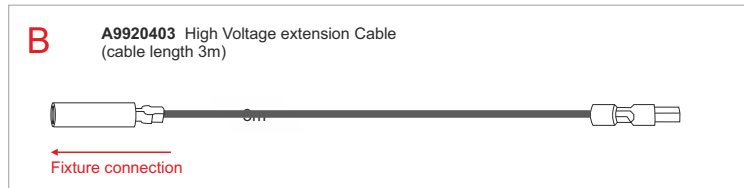
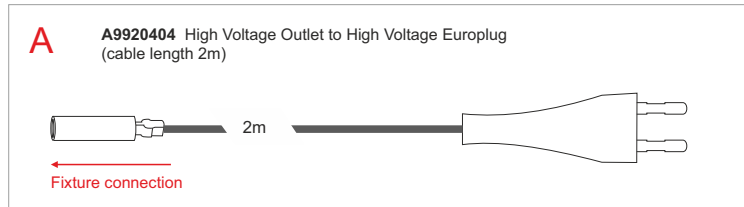
Dimensions in mm

For 230VAC mounting, see Connection accessories next page



Height	Eindhoven-85RW WW	60°	Ø	3000K
0.5m			???	?? Lx
1.0m			???	?? Lx
1.5m			???	?? Lx
2.0m			???	?? Lx
2.5m			???	?? Lx
3.0m			???	?? Lx

Connection accessories



<p>suspended ceiling verlaagd plafond abgehängte Decke Falso techo controsoffitto подвесной потолок</p>	<p>concrete ceiling betonnen plafond Betondecke Hormigon soffitto in calcestruzzo Бетонный потолок</p>
<p>When installing in suspended or concrete ceiling, please take care there is sufficient ventilation for cooling of the LED-Fixture.</p>	
<p>Gebruik bij verlaagde plafonds voor voldoende ventilatie en plaats bij betonnen plafonds een inbouwdoos met voldoende ruimte en zorg voor voldoende absorberend vermogen van de beton voor koeling van het LED-armatuur.</p>	
<p>Sorge bei Einbau in gehängte Decken für genügend Ventilierung und verwende bei Einbau in Beton-Decken ein Einbaugeschäube mit genügend Ventilierung damit das LED-Armatur ausreichend gekühlt wird.</p>	
<p>Usar en techos un hormigón empotrado con suficiente espacio y procure tener suficiente capacidad absorbente de hormigón para el enfriamiento de la luminaria LED.</p>	
<p>Utilisez pour un montage encastré dans des plafonds en béton un boîtier intégré spacieux et assurez-vous que le béton absorbe suffisamment le refroidissement des armatures LED.</p>	
<p>Per l'installazione in controsoffitti o scatole elettriche, accertarsi che la ventilazione sia sufficiente per il raffreddamento dei dispositivi al LED</p>	
<p>В местах установки светильников (в обычном или подвесном потолке) необходимо обеспечить достаточную вентиляцию данного пространства.</p>	