

FRANKFURT-SQR

Ordernr: A0130700

Housing: Polished Aluminium
 Weight: 0,29 Kg
 Dimensions fixture: 110 x 110 x 44 mm
 Classification: IP-20 Class III

Advised LED lamp: A999035 ATON 12.6W 2700K 454Lm
 Advised Drivers for ATON LED lamp (see next page)

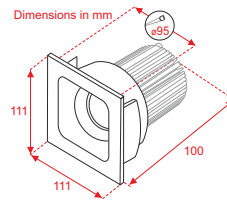
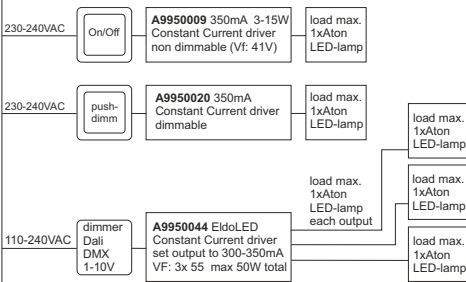
Excluded Halogene lamps & transformers:
 Max. Load halogene lamp: 1x 50W Mr16 (51-IRC) GU5.3
 20W with 10° / 24° / 36° / 60° reflector 3000K
 35W with 10° / 24° / 36° / 60° reflector 3000K
 50W with 10° / 24° / 36° / 60° reflector 3000K
 GU5.3 Operating Power: 12V AC by halogene electronic transformer

Available ARTECTA Transformers for Halogene lamps:
 A9900105 AET-35.105 (min. load 35W max. load 105W)
 A9900150 AET-50.150 (min. load 50W max. load 150W)
 A9900210 AET-100.210 (min. load 100W max. load 210W)

GU10 Operating Power: 230V AC



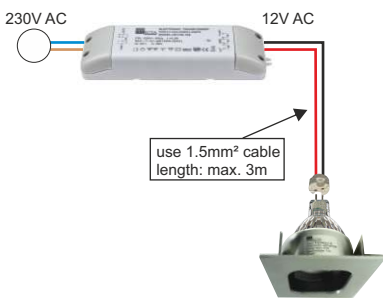
ATON LED advised drivers & connection & dimensions (see next page)



A9990350 12.6W 2700K 454Lm@300mA (500Lm@350mA)

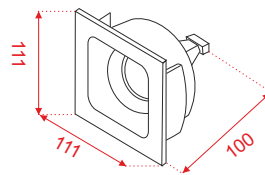
Height	Aton-MR16 WW 36°	Diam.	Nadir.E
0.5m		0.33m	4165 Lx
1.0m		0.66m	1041 Lx
1.5m		0.98m	463 Lx
2.0m		1.38m	260 Lx
2.5m		2.33m	188 Lx
3.0m		3.28m	116 Lx

Halogene MR16 Connection & Dimensions



GU5.3 socket

Dimensions Frankfurt & MR16 Halogene lamp included GU-socket:



Halogene Transformer is needed
 If using lamp with GU5.3 socket

GU10 socket



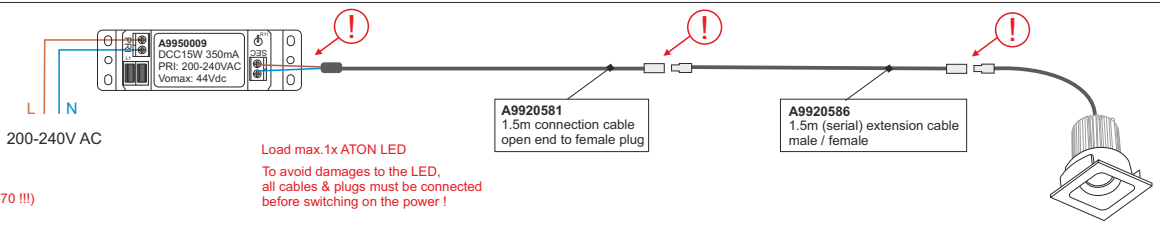
No transformer is needed
 If using lamp with GU10 socket

Height	Decostar-51 50W 10°	Diam.	E _{max} (Lux)	Height	Decostar-51 50W 24°	Diam.	E _{max} (Lux)	Height	Decostar-51 50W 36°	Diam.	E _{max} (Lux)	Height	Decostar-51 50W 60°	Diam.	E _{max} (Lux)
1.0m		0.17m	15000 Lx	0.5m		0.20m	21900 Lx	0.5m		0.35m	11000 Lx	0.5m		0.60m	5500 Lx
1.5m		0.26m	9375 Lx	1.0m		0.45m	5700 Lx	1.0m		0.70m	2800 Lx	1.0m		1.15m	1430 Lx
2.0m		0.35m	3750 Lx	1.5m		0.65m	3560 Lx	1.5m		1.05m	1755 Lx	1.5m		1.73m	895 Lx
2.5m		0.43m	2710 Lx	2.0m		0.85m	1420 Lx	2.0m		1.40m	710 Lx	2.0m		2.30m	360 Lx
3.0m		0.50m	1670 Lx	2.5m		1.08m	1025 Lx	2.5m		1.75m	515 Lx	2.5m		2.88m	210 Lx
4.0m		0.70m	940 Lx	3.0m		1.30m	630 Lx	3.0m		2.10m	320 Lx	3.0m		3.45m	160 Lx

A Non dimmable Driver

A9950009
Constant current LED-Driver
@230VAC 350mA 15W / Vf: 2-43

@110VAC 350mA 10W (not suitable for 1x Unna-70 !!!)

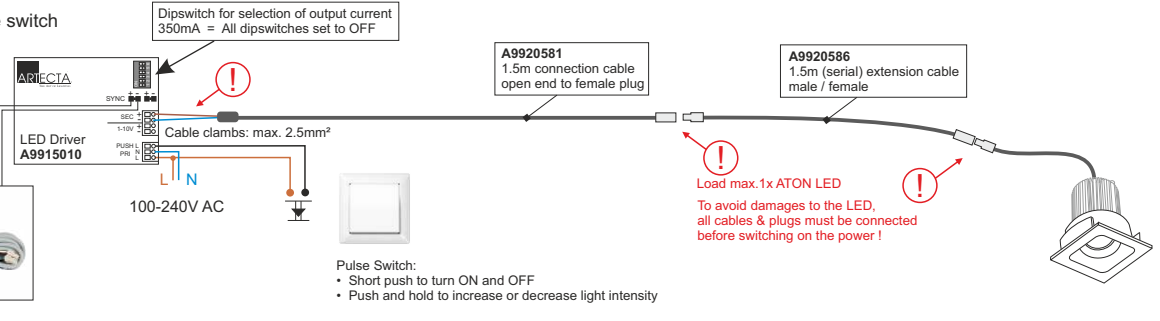


Load max. 1x ATON LED
To avoid damages to the LED,
all cables & plugs must be connected
before switching on the power !

B Dimmable by A9910010 & pulse switch

A9950010
Constant current
350mA 15W / Vf: 2-43

A9950017
Synchronise connection-cable to connect
the next driver
Max 10 drivers can be connected
and controlled by one Pulse Switch



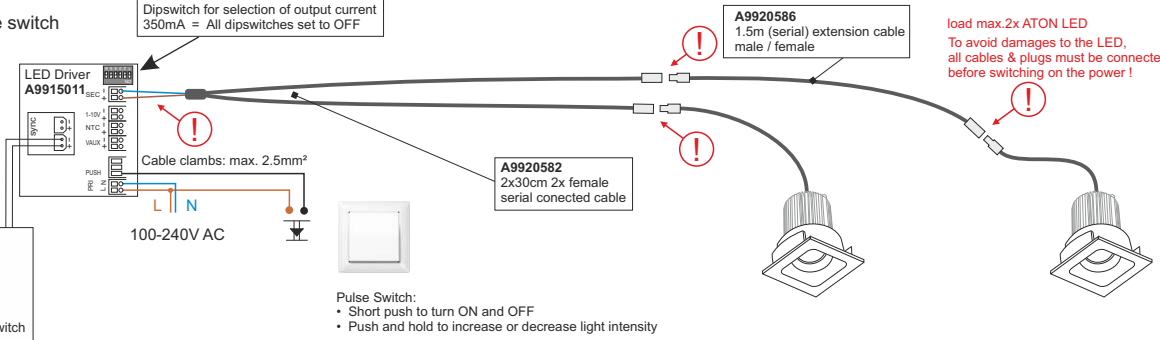
Load max. 1x ATON LED
To avoid damages to the LED,
all cables & plugs must be connected
before switching on the power !

Pulse Switch:
• Short push to turn ON and OFF
• Push and hold to increase or decrease light intensity

C Dimmable by A9915011 & pulse switch

A9950011
350mA 25W
Constant current / Vf: 2-74

A9950017
Sync connection-cable to next driver
Max 10 drivers can be controlled by one switch



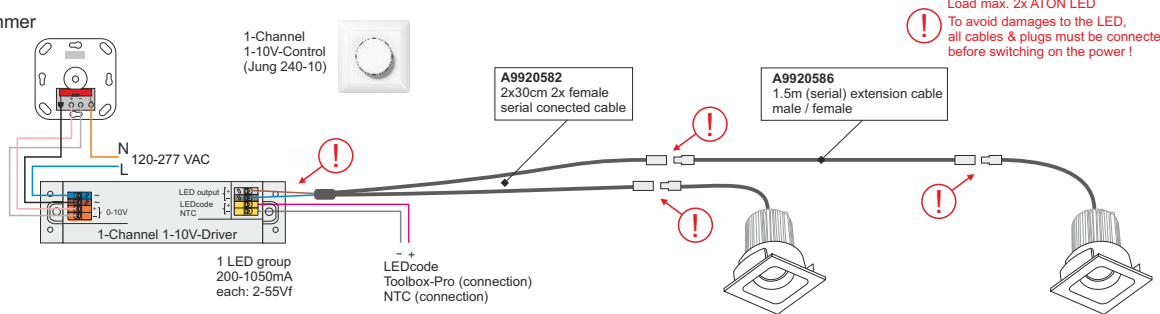
Load max. 2x ATON LED
To avoid damages to the LED,
all cables & plugs must be connected
before switching on the power !

Pulse Switch:
• Short push to turn ON and OFF
• Push and hold to increase or decrease light intensity

D 1-10V Dimmable by Rotary Dimmer

A9950360 EldoLED SoloDrive-30W SL0361 A
Dimmable 1-10V
LED constant current driver max. 30W

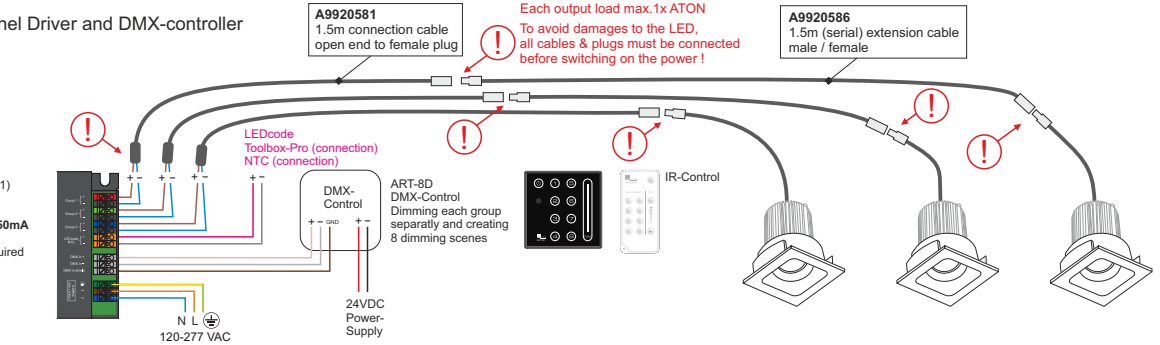
Constant Current output
is standard set to 350mA
(For all other settings,
the toolbox A9915056 is required)



Load max. 2x ATON LED
To avoid damages to the LED,
all cables & plugs must be connected
before switching on the power !

E Dimmable with EldoLED 3-channel Driver and DMX-controller

A9950044 EldoLED PowerDrive-50W (PWR0562 A1)
3 separately Dimmable LED outputs
controllable by 3 DMX-Addresses
The constant current output is standard set to 350mA
For other settings, the toolbox Pro A9915056 is required

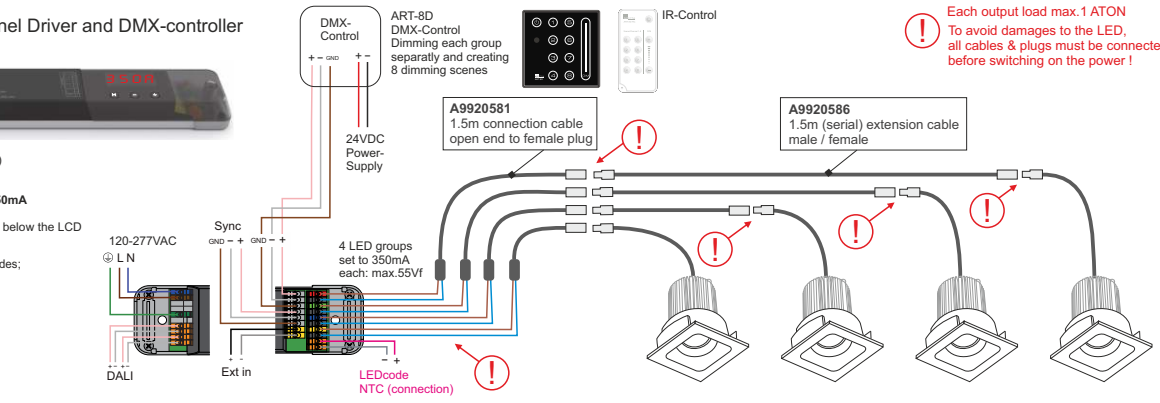


Each output load max. 1x ATON
To avoid damages to the LED,
all cables & plugs must be connected
before switching on the power !

F Dimmable with EldoLED 4-channel Driver and DMX-controller

A9950045 EldoLED PowerDrive-100W (PWR16 A1)
4 separately Dimmable LED outputs
controllable by 4 DMX- or DALI-Addresses or 1-10V
The constant current output is standard set to 350mA
Other settings, can be changed by 3 buttons (M - +) below the LCD

The PowerDrive-100 can be set to different control-modes;
• 1 DMX-Channel: Fader-1 controls all 4 LEDs
• 2 DMX-Channels: Fader-1 controls LED 1&2
Fader-2 controls LED 2&3
• 4 DMX-Channels: Fader-1 controls LED-1,
Fader-2 controls LED-2,
Fader-3 controls LED-3
Fader-4 controls LED-4



Each output load max. 1 ATON
To avoid damages to the LED,
all cables & plugs must be connected
before switching on the power !